



Daylight

KITCHEN APPLIANCES & ACCESSORIES

Daylight KITCHEN APPLIANCES & ACCESSORIES



KITCHEN HARDWARE SUPPLIER



GIVE YOU A WONDERFUL LIFE



Day Light I kitchen Appliances & Accessories



倡导精品，演绎生活

Advocating high-quality goods, interpretation of life

CONTENTS

BASE UNITS 地柜系列

- 10 Pull-out basket
- 20 Multi-purpose Basket



13

CORNER UNITS 转角系列

- 26 Magic Corner
- 34 Swing Trays
- 36 Revolving Basket



65

LARDER UNITS 高柜系列

- 38 Tall Unit Basket
- 40 Revolving Basket II
- 42 Larder Basket
- 54 Pole System



18

WALL UNITS 吊柜系列

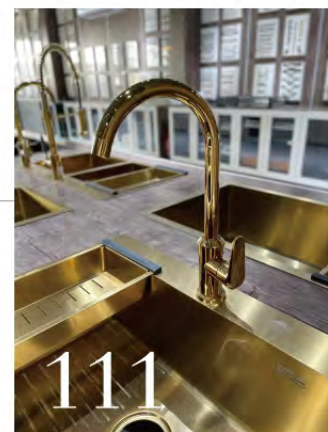
- 56 Elevator Basket
- 58 Disk Rack

CABINET ACCESSORIES 橱柜配件

- 63 Kitchens Rack
- 68 Cutlery Tray
- 72 Rice Box
- 74 Waste Bin

SINK SERIES 水槽

- 80 Overall tensile Series
- 88 Handmade Series
- 101 Cup Washer
- 104 Drainer
- 108 Kitchen Faucets



111

101



28

HARDWARE UNITS 五金系列

- 112 Cabinet Handle
- 129 Cabinet Support
- 131 Lid Stay Support
- 132 Drawer Slide
- 136 Hinge
- 138 Gas Spring
- 139 Blind Rivet
- 139 Screws

OTHERS FITTING 其他

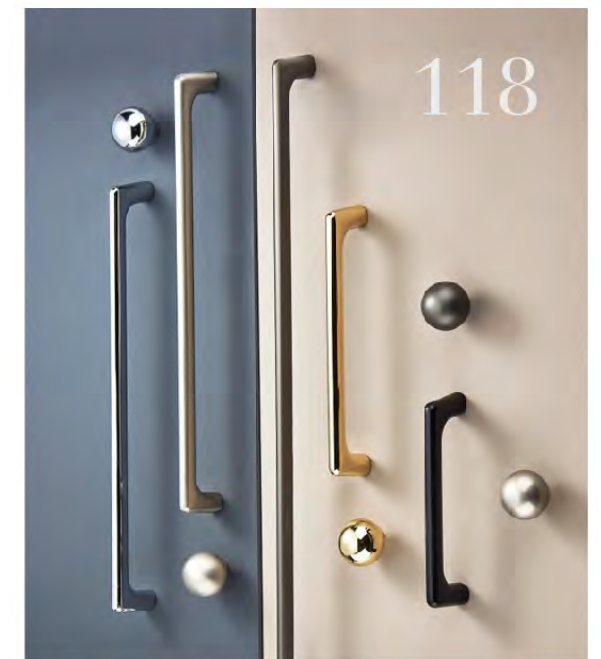
- 140 Weather Stripping
- 141 PS SHEET
- 142 MDF (Medium Density Fiberboard)
- 143 HPL (High Pressure Laminate)

ELECTRICAL UNITS 电器设备

- 144 Range Hood



131



118



123

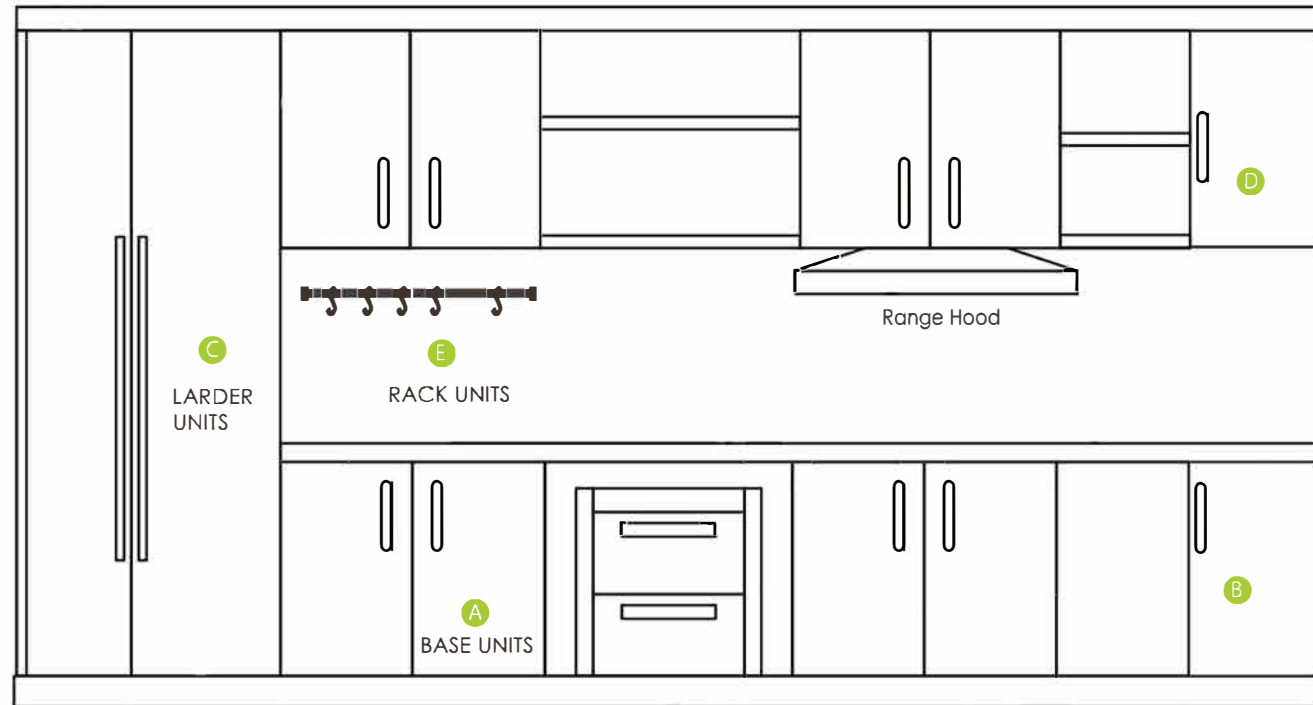


91



KITCHEN HARDWARE UNITS

- A**  BASE UNITS 地柜系列
- B**  CORNER UNITS 转角系列
- C**  LARDER UNITS 高柜系列
- D**  WALL UNITS 吊柜系列
- E**  RACK UNITS 置物架系列



BASE UNITS

All kinds of kitchen utensils, condiments and cleaning articles are stored in different varieties, and the kitchen is neat, clear and easy to access.



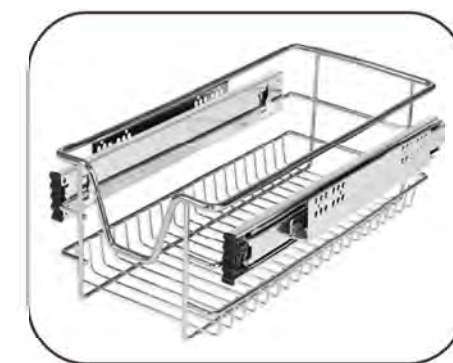
Daylight
KITCHEN APPLIANCES ACCESSORIES

PULL-OUT BASKET

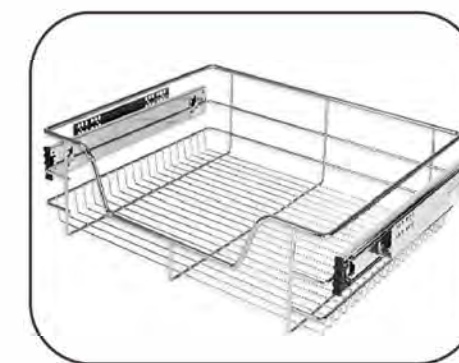
Material of the basket is made of high-quality steel, and the surface of the basket is treated by four-layer nanometer powder spraying process. The structure is rigorous, the material is solid, durable, anti-corrosion and anti-abrasion. Recommendations: store some big items, such as utensils, dishes, and daily necessities. Payload: **Max load capacity is 10kgs.**



BASE UNITS / 地柜系列

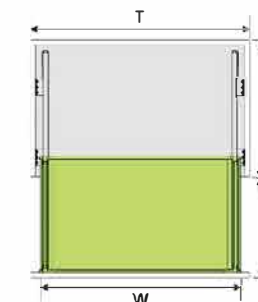


Model:PB-129



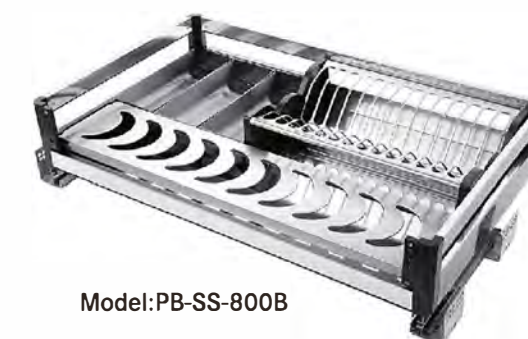
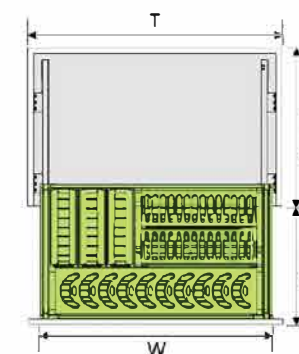
Model:PB-139

Item NO.	T=Cabinet	Width* Depth*Height	Description
PB-129	400mm	360*400*130mm	Steel
PB-134	450mm	410*420*140mm	Steel
PB-139	500mm	460*420*140mm	Steel
PB-149	600mm	560*420*140mm	Steel



Model:PB-SS-500A

Item NO.	T=Cabinet	Width* Depth*Height	Description
PB-SS-500A	500mm	464*450*150mm	Stainless Steel
PB-SS-600A	600mm	564*450*150mm	Stainless Steel
PB-SS-800A	800mm	764*450*150mm	Stainless Steel
PB-SS-900A	900mm	864*450*150mm	Stainless Steel
PB-SS-1000A	1000mm	964*450*150mm	Stainless Steel



Model:PB-SS-800B

Item NO.	T=Cabinet	Width* Depth*Height	Description
PB-SS-800B	800mm	764*450*150mm	Stainless Steel
PB-SS-900B	900mm	864*450*150mm	Stainless Steel
PB-SS-1000B	1000mm	964*450*150mm	Stainless Steel

Daylight

KITCHEN APPLIANCES ACCESSORIES



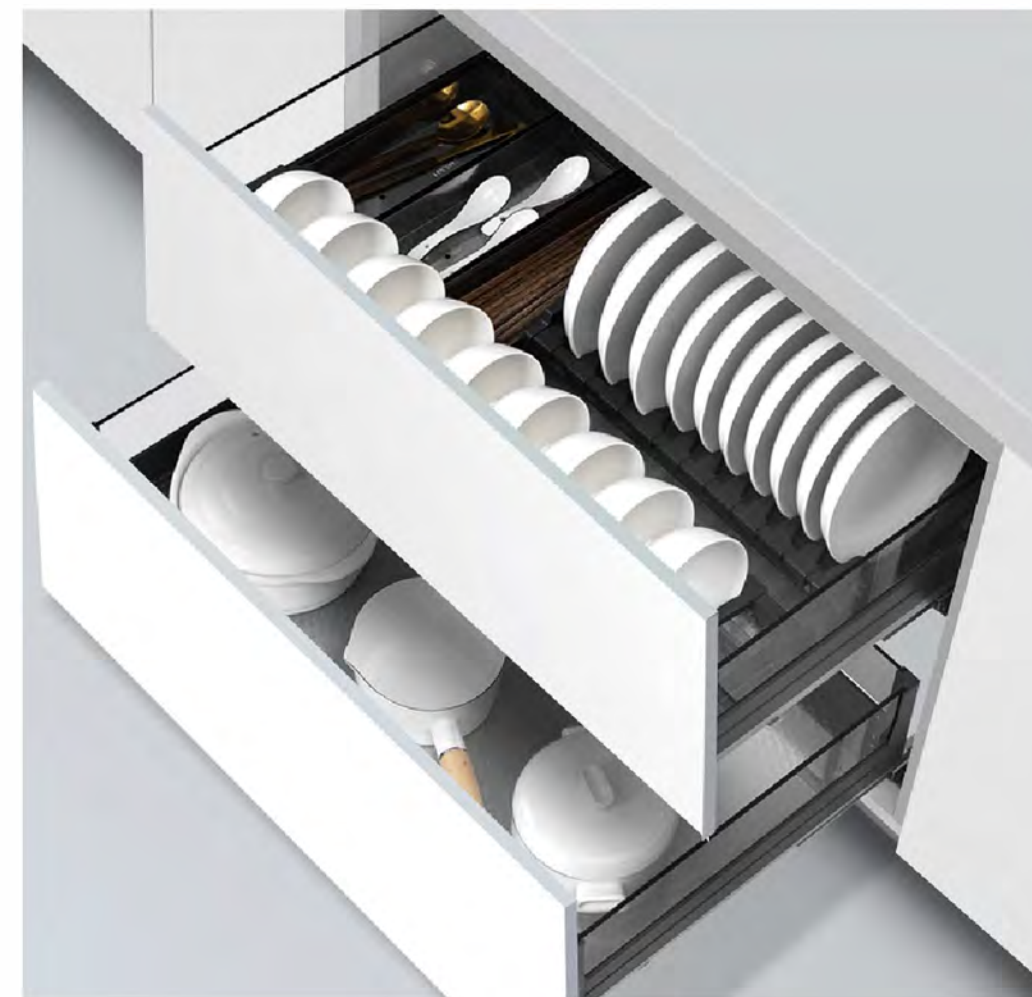
Daylight

PULL-OUT
BASKET

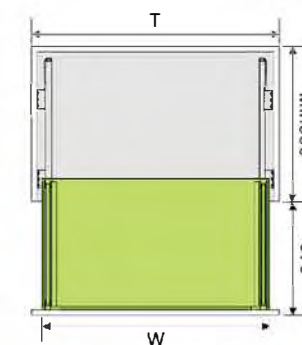


- The glass is easily removed and cleaning.
- Simple outlook design,
- Dish tray size available for drawer width from 500mm

BASE UNITS / 地柜系列



Model:PB-GL-600A



Item NO.	T=Cabinet	Width* Depth*Height	Description
PB-GL-500A	500mm	464*450*150mm	Grey Glass
PB-GL-600A	600mm	564*450*150mm	Grey Glass

Daylight

KITCHEN APPLIANCES ACCESSORIES

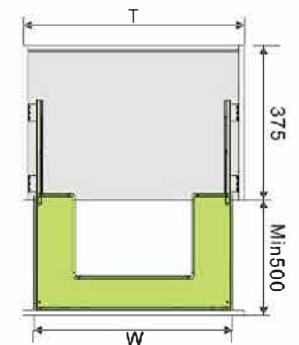


Daylight
PULL-OUT
BASKET

Stainless Steel Sink Pull Basket Use Of The Bottom Space



Item NO.	T=Cabinet	Width* Depth*Height	Description
PB-USS-800	800mm	764*425*168mm	Stainless Steel
PB-USS-900	900mm	864*425*168mm	Stainless Steel
PB-USS-1000	1000mm	964*425*168mm	Stainless Steel



BASE UNITS / 地柜系列

Daylight

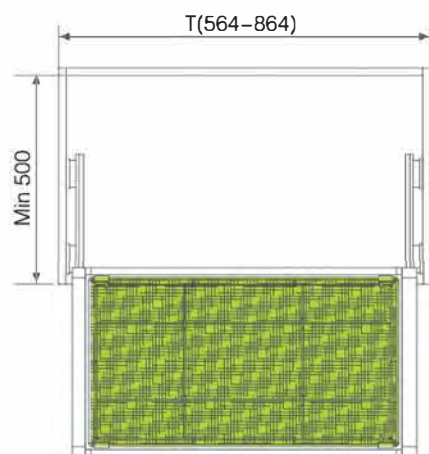
KITCHEN APPLIANCES • ACCESSORIES

RATTAN BASKET

- Neat And Receive Capacity
- Hand-woven Imitation rattan
- The new method of collection

Item NO.	T=Cabinet	Width* Depth*Height	Description
RSB1-500	500mm	464*475*200mm	Hand-woven Imitation rattan
RSB1-600	600mm	564*475*200mm	Hand-woven Imitation rattan
RSB1-900	900mm	864*475*200mm	Hand-woven Imitation rattan

PRODUCT DETAILS



- ☐ Module design
- ☐ Free combination
- 💧 Not afraid of water stains
- 💎 Not easy to rust



PRODUCT DETAILS



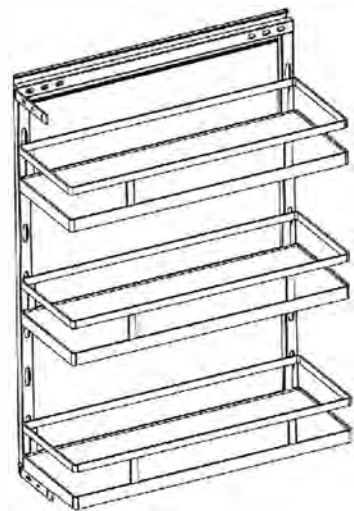
Item NO.	T=Cabinet	Description
CT-AL-500	500mm	Aluminum
CT-AL-600	600mm	Aluminum
CT-AL-700	700mm	Aluminum
CT-AL-800	800mm	Aluminum
CT-AL-900	900mm	Aluminum





Model:MB-WD-222L

MULTI-PURPOSE BASKET



Model:MB-WD-232-250



Model:MB-SS-221

Item NO.	T=Cabinet	Width* Depth*Height	Description
MB-WD-222L/R	150mm	107*488*518mm	Wood
MB-WD-232-250	250mm	150*490*680mm	Wood



Model:MB-121S



Model:MB-122D

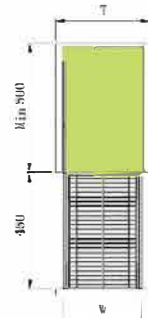


Model:MB-123



Model:MB-124

Item NO.	T=Cabinet	Width* Depth*Height	Description
MB-121S	200mm	127*450*420mm	Steel
MB-122D	200mm	127*450*420mm	Steel
MB-123	300mm	127*450*420mm	Steel
MB-124	200mm	150*450*490mm	Steel



Model:MB-SS-281



Model:MB-SS-284-300

Item NO.	T=Cabinet	Width* Depth*Height	Description
MB-SS-221	200mm	150*450*480mm	Stainless Steel
MB-SS-281	400mm	350*450*480mm	Stainless Steel
MB-SS-284-300	300mm	250*450*480mm	Stainless Steel

Daylight

KITCHEN APPLIANCES ACCESSORIES



Item NO.	T=Cabinet	Width* Depth*Height	Description
MB-GL-231	200mm	150*460*570mm	Grey Glass
MB-GL-281	400mm	350*433*476mm	Grey Glass
MB-GL-282-350	350mm	250*433*476mm	Grey Glass



▲ Model:MB-GL-121

Item NO.	T=Cabinet	Width* Depth*Height	Description
MB-GL-121	200mm	150*450*480mm	GLASS



Model:MB-GL-121



Model:MB-GL-231



Model:MB-GL-281

BASE UNITS / 地柜系列

Daylight

KITCHEN APPLIANCES & ACCESSORIES



MULTI-FUNCTIONAL BOWL BASKET

Modular storage functional performance is well organized, tableware storage with ultra-large capacity, make picking and placing more easily. Designed for kitchen.



BASE UNITS / 地柜系列

Item NO.	T=Cabinet	Width* Depth*Height	Description
MB-AL-301	250/300mm	245/295*460*550mm	Aluminum+Glass
MB-AL-302	400mm	345*460*550mm	Aluminum+Glass



Model:MB-AL-301



Model:MB-AL-302

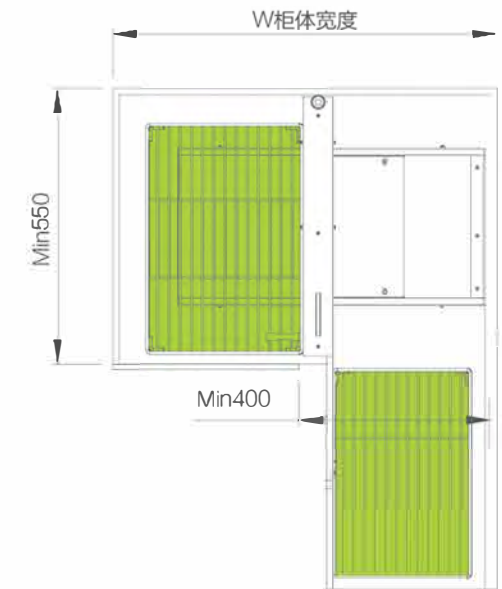
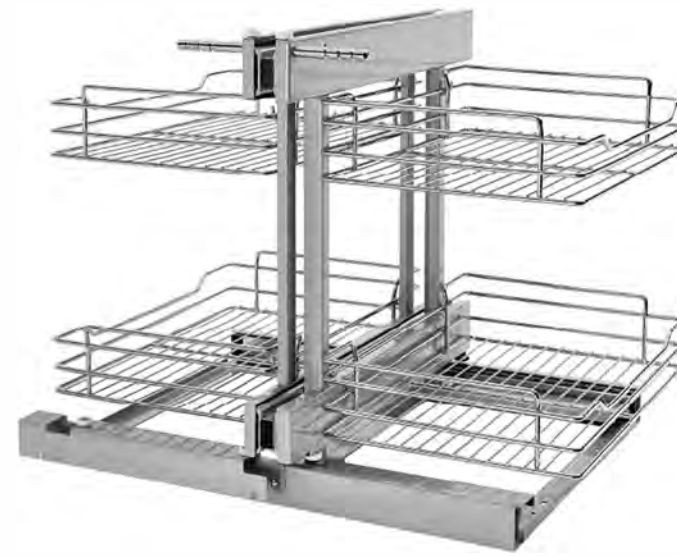
Daylight

KITCHEN APPLIANCES ACCESSORIES

MAGIC CORNER

Strongpoint

It could be rotated **360** degree and each basket can be pull out.
4 different baskets could be desirable in a variety of items.
 Play load: Max **4kgs** for each basket



► MODEL: MC-101

Item NO.	T=Cabinet	Width* Depth*Height	Description
MC-101	900mm	660*485*590mm	Steel



► MODEL: MC-102R

Item NO.	T=Cabinet	Width* Depth*Height
MC-102L	900mm	860*498*530mm
MC-102R	900mm	860*498*530mm

►MODEL: MC-102L (Left Opening)

Daylight

KITCHEN APPLIANCES ACCESSORIES

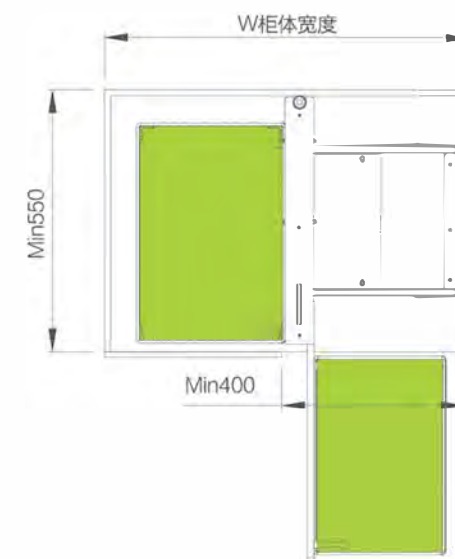
MAGIC
CORNER

▶ MODEL: MC-101

Item NO.	T=Cabinet	Width* Depth*Height	Description
MC-MD-101	900mm	660*485*590mm	Wood



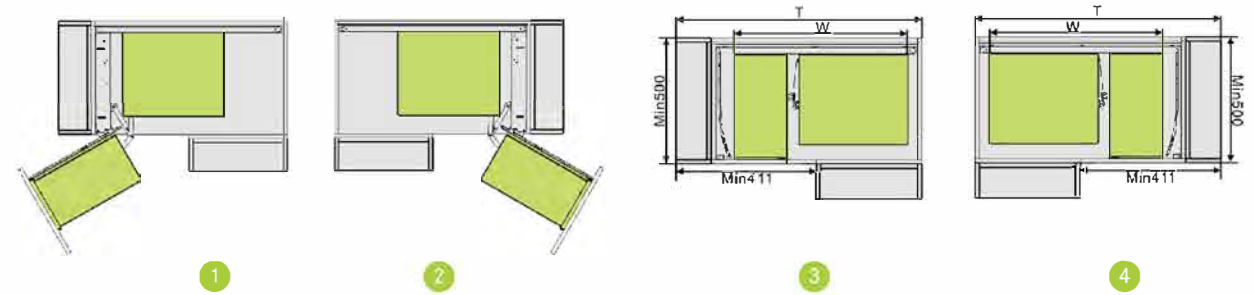
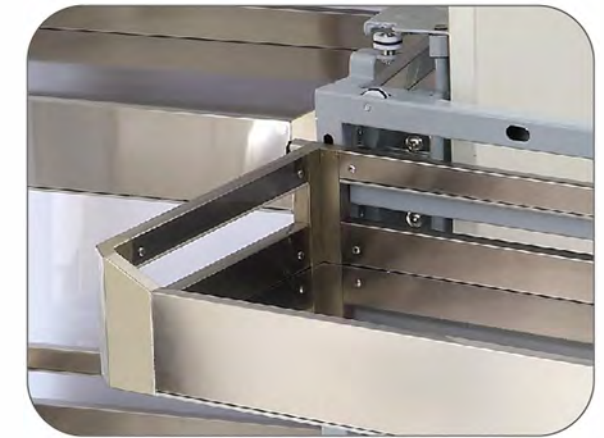
▶ MODEL: MC-101



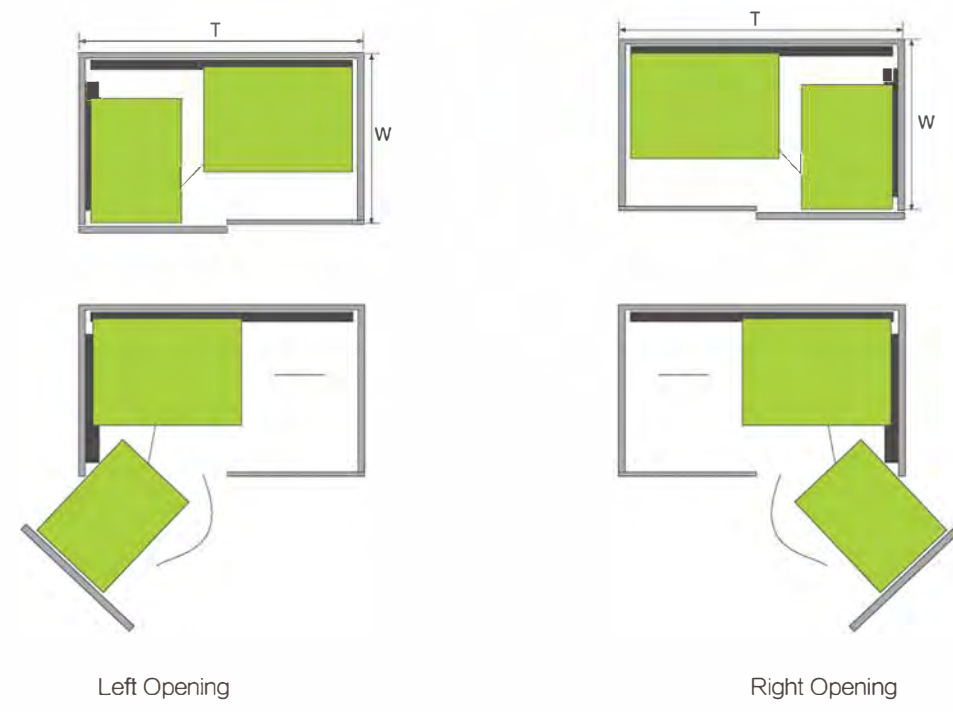
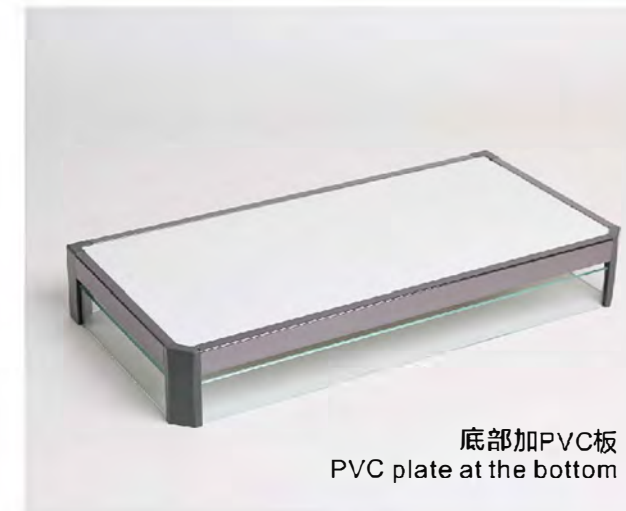
Item NO.	T=Cabinet	Width* Depth*Height	Description
MC-GL-101	900mm	660*485*590mm	Glass



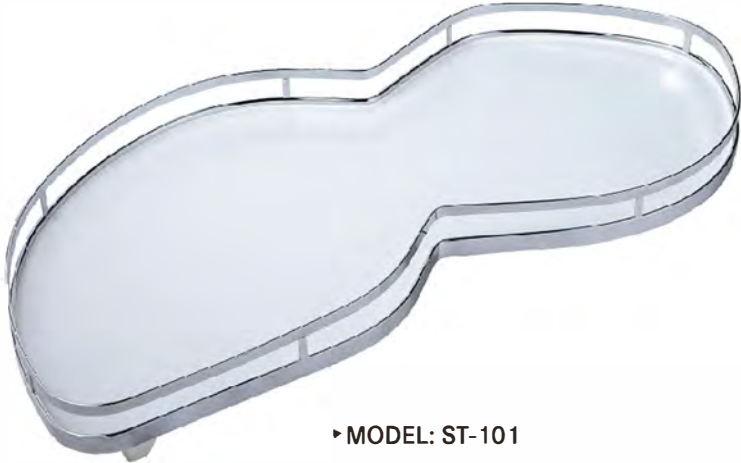
▶ Diamond trays



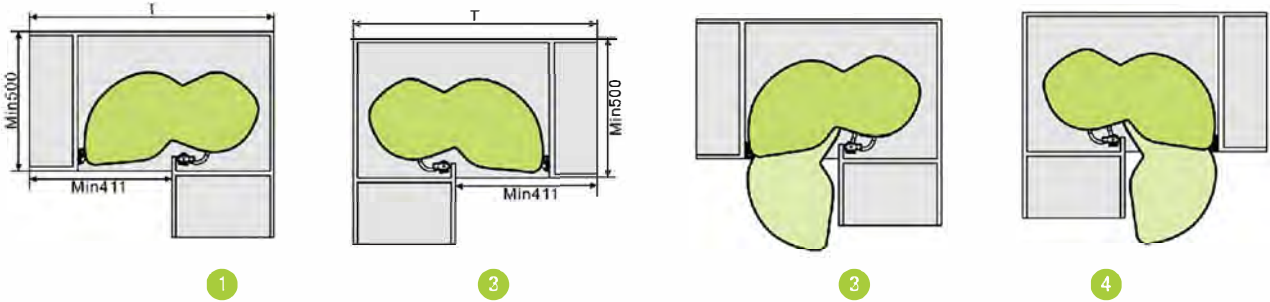
Item NO.	T=Cabinet	Width* Depth*Height	Description
MC-SS-102	900-1000mm	(864-964)*530*500mm	Stainless steel (Left Opening/ Right Opening)



Item NO.	T=Cabinet	Width* Depth*Height	Description
MC-GL-102	900-1000mm	(864-964)*530*500mm	GLASS (Left Opening/Right Opening)



▶ MODEL: ST-101



Daylight
SWING
TRAYS
转角抽拉拉篮·飞碟

The multi-angle rotating experience design enables you to have a panoramic view of the stored objects at your fingertips, further improving your convenience during use. It is like the graceful dancer that jumps in corner space, sometimes firm strong, sometimes soft, luxuriant bloom of corner space. Payload :max **10kgs** for each swing tray.

Item NO.	T=Cabinet	Width* Depth*Height	Description
ST-101L	900-1000mm	865*495*(600-750)mm	Left opening
ST-101R	900-1000mm	865*495*(600-750)mm	Right opening

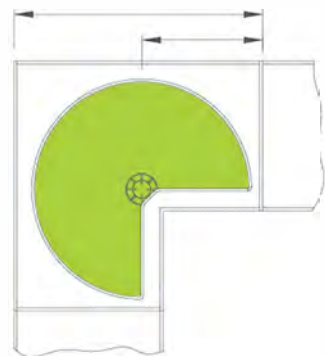


REVOLVING BASKET

The door can easily swith to forward with lightly push, and reset perfectly after revolve **270°**, Be free to adjust tray' s height.
Door can be quickly installed and can be three-dimensional adjust.
The basket can be very stable without shaking during rovolution due to the unique design of rotating structure.
The load capacity is **30kgs** and recommended max **15kgs** for each tray.



► MODEL: RB-WD-2270



Item NO.	T=Cabinet	Width* Depth*Height	Description
RB-WD-2270	900mm	810*495*(600-750)mm	Wooden trays



Daylight
KITCHEN APPLIANCES ACCESSORIES

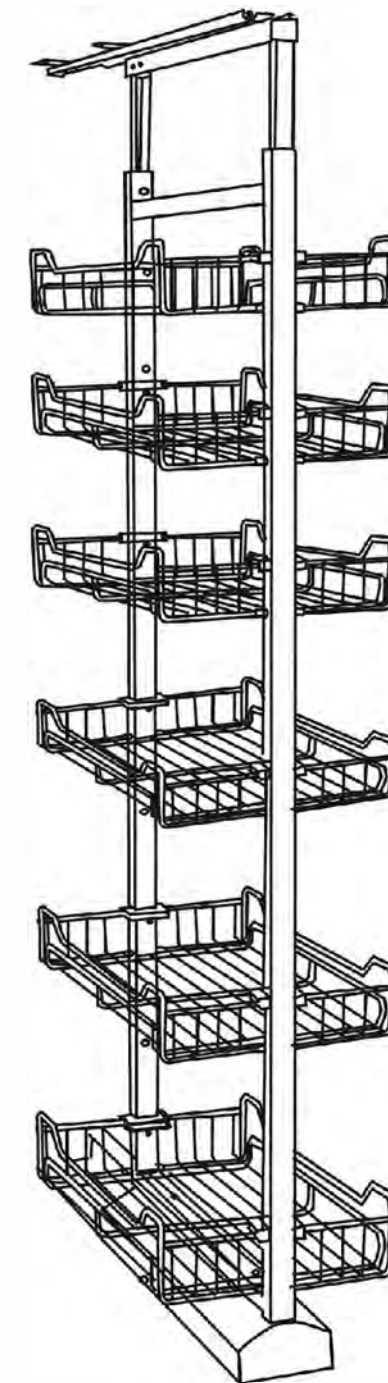
► MODEL: RB-WD-2360

Item NO.	T=Cabinet	Width* Depth*Height	Description
RB-WD-2360	800mm	700*495*(600-750)mm	Wooden trays



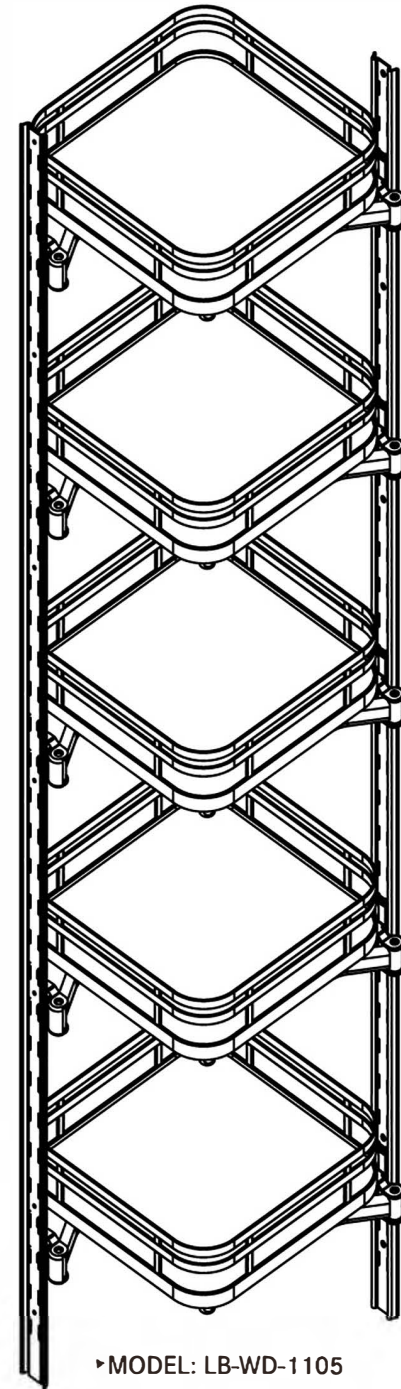
Soft-close design reduces the impact between door & cabinet, thus expanding life span of the cabinet. Easy storage obtained by **100%** full extension heavy duty silder with all baskets pulled out.

TALL UNIT BASKET



► MODEL: LB-106

Item NO.	T=Cabinet	Width* Depth*Height	Description
LB-106	450mm	414*500*(1920~2220)mm	6 Layers
LB-106-200	200mm	164*500*(1920~2220)mm	6 Layers



▶MODEL: LB-WD-1102



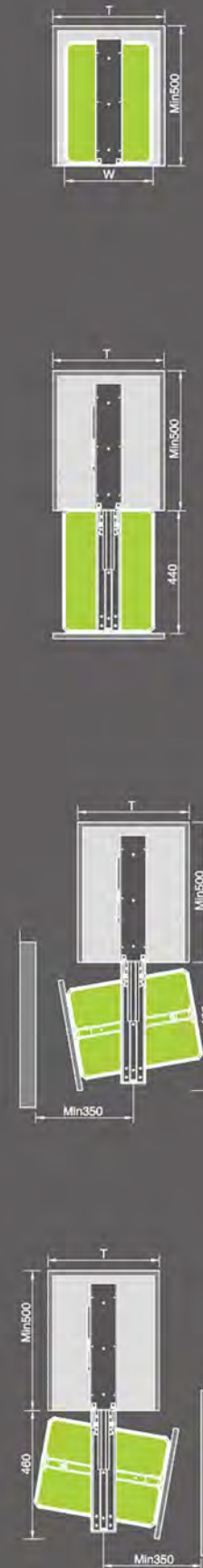
REVOLVING BASKET II

Item NO.	T=Cabinet	Width* Depth*Height	Description
LB-WD-1102	500mm	464*500*800mm	2 Layers
LB-WD-1105	500mm	464*500*1800mm	5 Layers



Daylight TALL UNIT BASKET

Storage of unfrequently-use items as small household appliances, plates&bowls, dried fruits or spice.
Max load: **70kgs** Max 10kgs per tray recommended



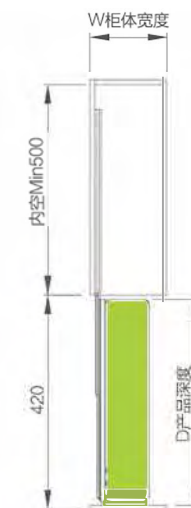
Item NO.	T=Cabinet	Width* Depth*Height	Description
LB-GL-105	400mm	340*480*(1430~1730)mm	5 Layers
LB-GL-106	400mm	340*480*(1780~2080)mm	6 Layers

Daylight
KITCHEN APPLIANCES ACCESSORIES

LARDER BASKET



Succinct and sharp lines, takes only a small place of the cabinet, large storage capacity gives a better quality of life.



LARDER UNITS / 高柜系列

► MODEL: LB-GL-106S

Item NO.	T=Cabinet	Width* Depth*Height	Description
LB-GL-105S	200mm	164*480*160mm	5 Layers
LB-GL-106S	200mm	164*480*180mm	6 Layers



Make full use of high cabinet transverse storage space reasonable to "gold cutting" so that the goods in the closet at a glance, put in the high ark of the goods can easily get.

LARDER BASKET



▶ LB-SS-202

Item NO.	T=Cabinet	Width* Depth*Height	Description
LB-SS-202	450mm	414*500* (650~750) mm	2 Layers Stainless Steel
LB-SS-204	450mm	414*500* (1150~1450) mm	4 Layers Stainless Steel
LB-SS-205	450mm	414*500* (1250~1550) mm	5 Layers Stainless Steel
LB-SS-206	450mm	414*500* (1650~1950) mm	6 Layers Stainless Steel



Unique dynamic design, open the door at the same time bring out all baskets, convenient storage items. Mute design, so that the product in the opening and closing process, always maintain a smooth and smooth effect.
 Payload: Max 5kgs for each big basket and 3kgs for small basket

LARDER BASKET

LARDER UNITS / 高柜系列



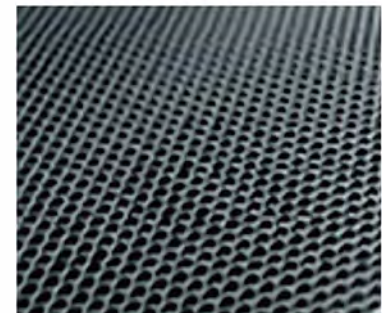
Item NO.	T=Cabinet	Width* Depth*Height	Description
LB-SS60-204	600mm	564*500*(1150~1450)mm	4 Layers Stainless Steel
LB-SS60-205	600mm	564*500*(1250~1550)mm	5 Layers Stainless Steel
LB-SS60-206	600mm	564*500*(1650~1950)mm	6 Layers Stainless Steel



Daylight
KITCHEN APPLIANCES ACCESSORIES

LARDER BASKET

LARDER UNITS / 橱柜系列

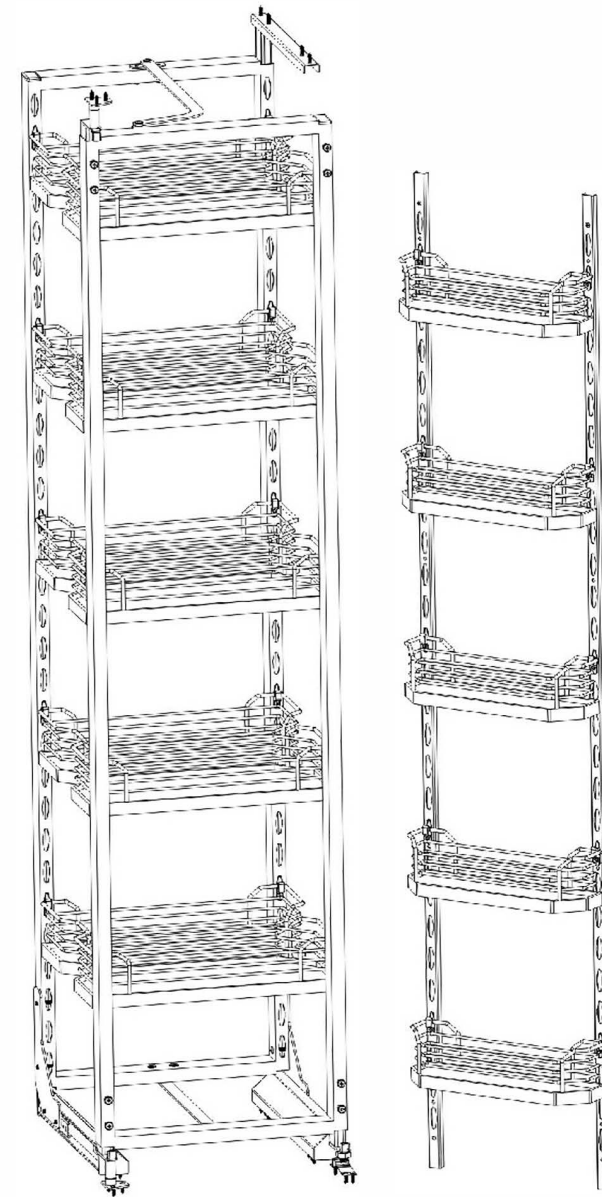


► Diamond Style

The bottom of anti-skid pad which is more durable with absolute anti-slip and water-proof function.

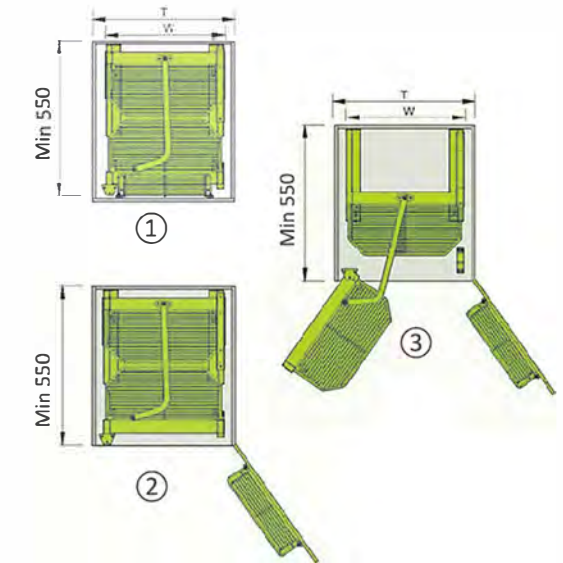
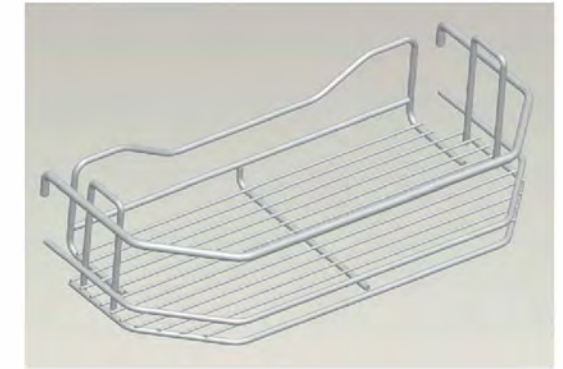
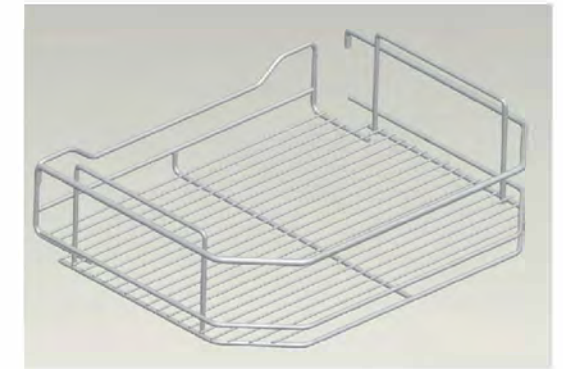


Item NO.	T=Cabinet	Width* Depth*Height	Description
LB-GL-205	450mm	414*500*(1250~1550)mm	5 Layers Glass
LB-GL-206	450mm	414*500*(1650~1950)mm	6 Layers Glass



► Big Basket

► Small Basket



LARDER BASKET

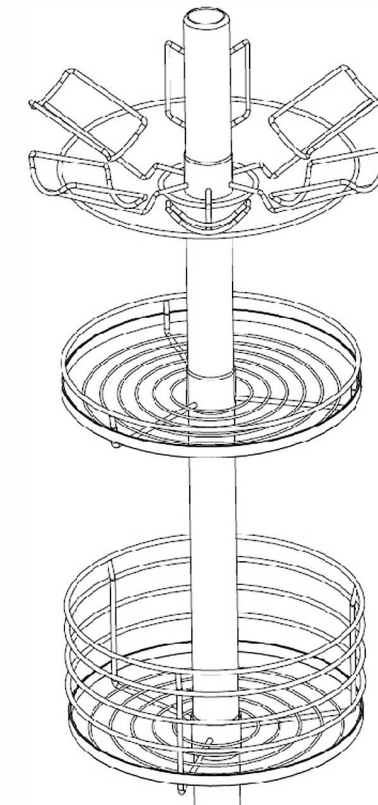
All baskets can be moved to the front when opening, the design of dual-slider enhanced load-bearing capacity, optionally with wire basket or wooden basket and left-open or right-open all can be installed.
Payload: Max 5kgs for each big basket and 3kgs for small basket.

Item NO.	T=Cabinet	Width* Depth*Height	Description
LB-3412	500mm	464*530*(1250~1350)mm	4 Layers Steel
LB-3515	500mm	464*530*(1650~1750)mm	5 Layers Steel
LB-3618	500mm	464*530*(1850~1950)mm	6 Layers Steel
LB-3721	500mm	464*530*(1950~2050)mm	7 Layers Steel

Daylight
POLE
SYSTEM



Daylight
KITCHEN APPLIANCES ACCESSORIES



► Model:P-803

WALL UNITS / 吊柜系列



360°Round basket
P1:Ø360x185mm



360°Round basket
P2:Ø370x196mm



360°Round basket
P3:Ø360x105mm



360°Round basket
P4:Ø350x80mm



Wine bottle holder
P5:Ø465x102mm



360°Glass Holder
P6:Ø305x55mm



Glass Rack
P7:Ø350x80mm



P8:Accessory



Tube: Ø50x0.7x1500mm



360°Fan stand
P9:W352xL417xH65mm

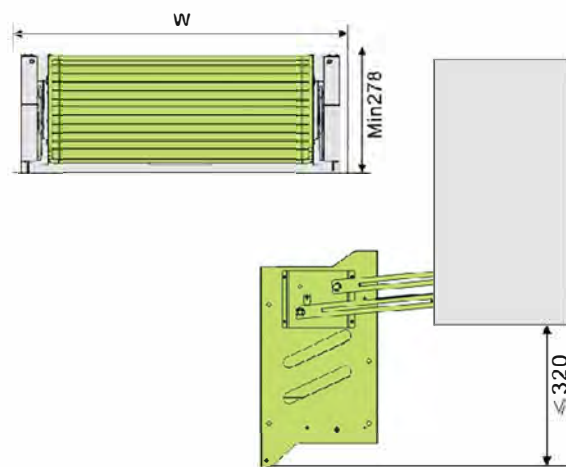
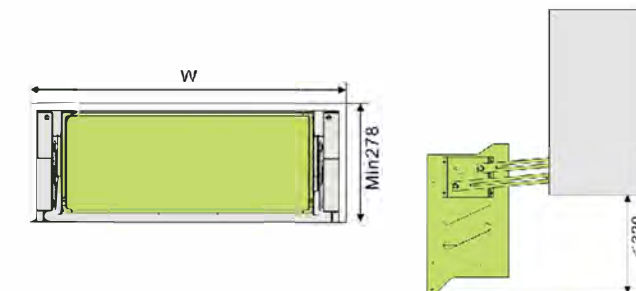


► Model:EB-SS-280
(Stainless Steel)

ELEVATOR BASKET

Extend kitchen space available, effectively increase the storage space in kitchens
The strength design, with double soft-closing stop system, pulls easily take easily, security and not easy to fall off

Item NO.	T=Cabinet	SIZE
EB-SS-260	600mm	564*280*550mm
EB-SS-280	800mm	764*280*550mm
EB-SS-280B	800mm	764*280*550mm

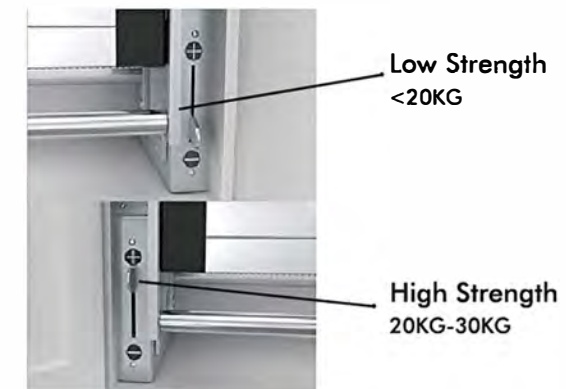


► Model:EB-280B

Item NO.	T=Cabinet	Width* Depth*Height	Description
EB-260	600mm	564*280*550mm	Steel
EB-280	800mm	764*280*550mm	Steel
EB-280B	800mm	764*280*550mm	Steel

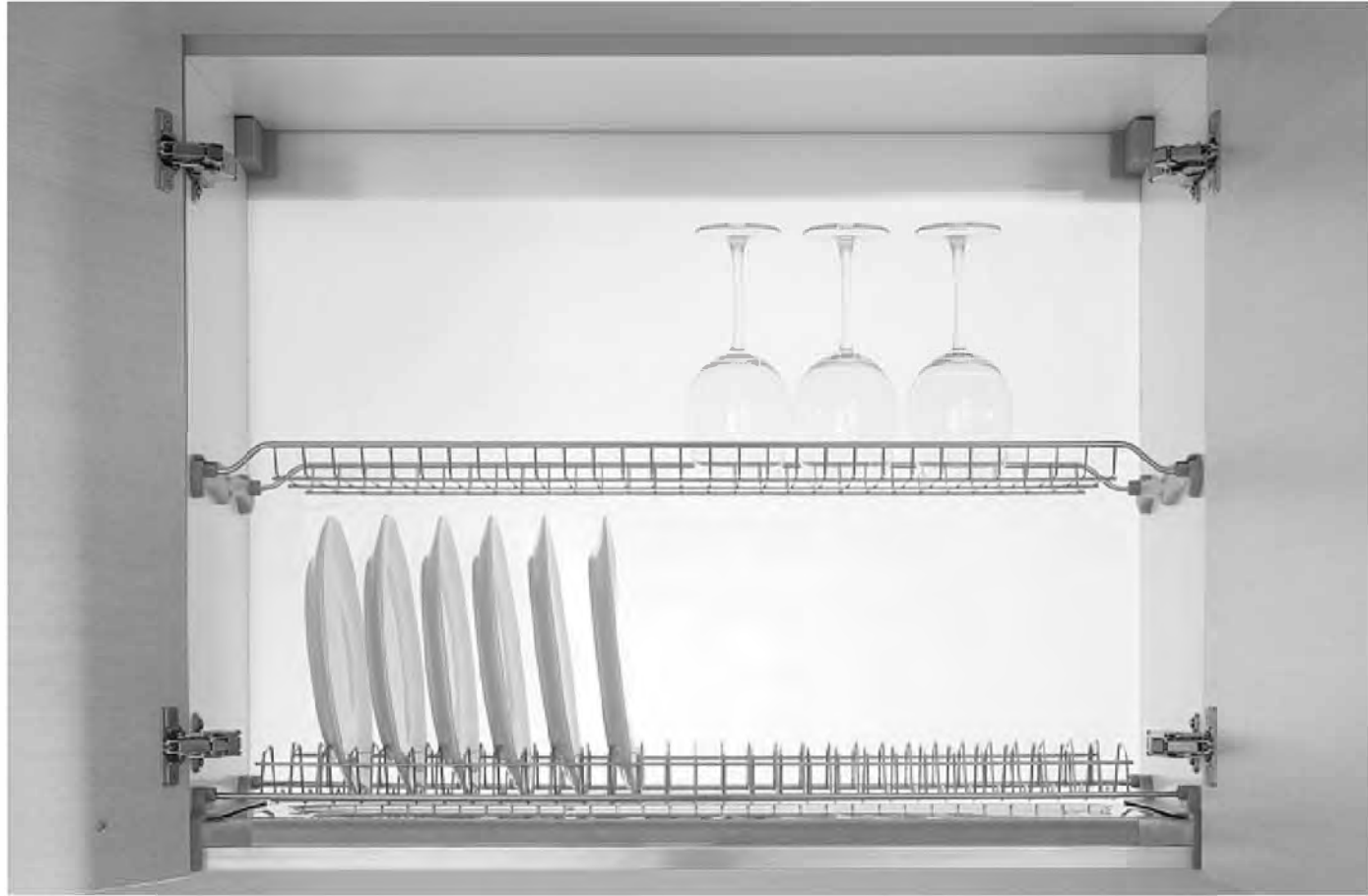


► Model:EB-AD-280B
(Steel)



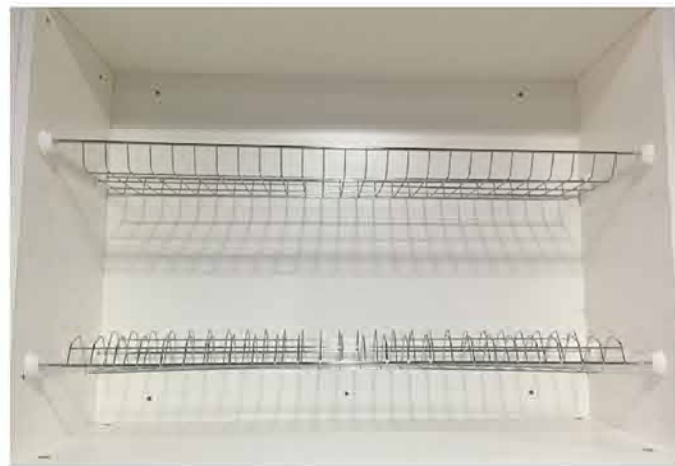
Item NO.	T=Cabinet	SIZE
EB-AD-280B	800mm	764*280*550mm
EB-AD-290B	900mm	864*280*550mm





DISH RACK

Basket surface makes use of trivalent chrome plating
Reasonable space planning ,the tableware in which the classification of tableware,make it clear at a glance,take and put convenient.



► Model:DR-287

Item NO.	T=Cabinet	Width* Depth*Height	Description
DR-287	900mm	870*250*100mm	One set:Dish rack and bowl rack



DISH RACK

strongpoint

All the material is Stainless steel,even the tray
Payload:Max 10kgs for each layer



► Model:DR-202

Item NO.	T=Cabinet	Width* Depth*Height	Description
DR-202	700/800/900mm	665/765/865*280*65mm	One set (Stainless Steel)

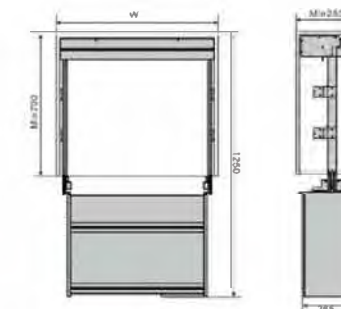


ELECTRIC LIFT BASKET

INTELLIGENT KITCHEN MACHINE

Daylight

KITCHEN APPLIANCES ACCESSORIES



Item NO.	T=Cabinet	Width* Depth*Height	Description
EB-ELEC-280A	800mm	770*280*570mm	Aluminum+Glass
EB-ELEC-290A	900mm	870*280*570mm	Aluminum+Glass



Daylight
KITCHENS
RACK

- The Refined Space Aluminum
- Anodic Oxidation

ARTISAN HEART DESIGN



► Model:EB-ADGL-280B

Item NO.	T=Cabinet	Width* Depth*Height	Description
EB-ADGL-280B	800mm	770*280*570mm	Stainless Steel +Glass
EB-ADGL-290B	900mm	870*280*570mm	Stainless Steel +Glass



Model:3101-40

Specification: 400*540*350 MM

Optional Color :



Silver Gray Black Gold



Model:3204-50

Specification: 500*200*350 MM

Optional Color :



Silver Gray Black Gold



Model:1102-40

Specification: 405*140*145 MM

Optional Color :



Silver Gray Black Gold



Model:2201-40

Specification: 405*140*365 MM

Optional Color :



Silver Gray Black Gold



Model:3102-60

Specification: 600*1670*104 MM

Optional Color :



Silver Gray Black Gold



Model:1201-60

Specification: 605*245*220 MM

Optional Color :



Silver Gray Black Gold



Model:6201-45

Specification: 450*155*405 MM

Optional Color :



Silver Gray Black Gold



Model:3203-50

Specification: 500*210*104 MM

Optional Color :



Silver Gray Black Gold



► Model:DR-115



► Model:DR-126



Model:KR-031

Model:KR-121

Item NO.	Width* Depth*Height
DR-115	655*273*383mm
DR-126	750*177*392mm
KR-215	210*395*335mm
KR-210	180*330*275mm
KR-031 SET	280*185*430mm (KR-121) 331*157*372mm (KR-031)

KITCHEN RACK

Hanging on the top of sink, convenient to dry the washed-dishes. the basket surface is plated with trivalent chrome.
Payload: Max load capacity is **10kgs**



Model:KR-215

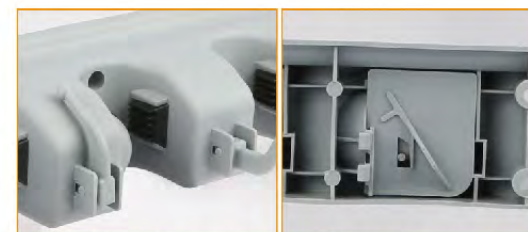


Model:KR-210

PLASTIC HOLDER

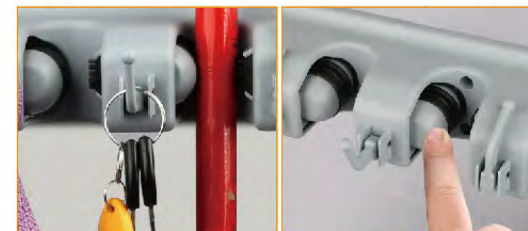
Item NO. Width* Depth*Height

BRH-A5 330*110*60mm



Serrated Anti-Slip Rubber

High-Quality Plastic



Foldable Hooks

Rolling Slot Balls



Model: BRH-A5



CUTLERY TRAY

Choose your storage,
then choose your
perspective

选择了一种收纳就是选择了一种生活



Cutlery tray

Strongpoint

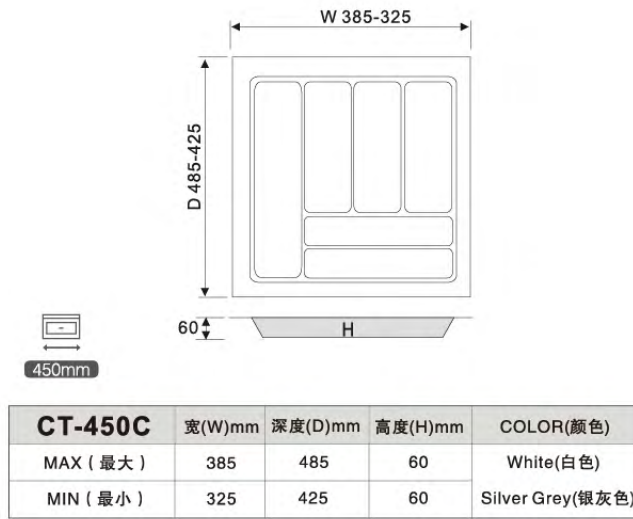
- 1 Various Top Design
- 2 100% edible Grade Raw Material
- 3 ODM/OEM Available
- 4 Finished: Gloss& Matt
- 5 From 400mm to 900mm drawer width options available



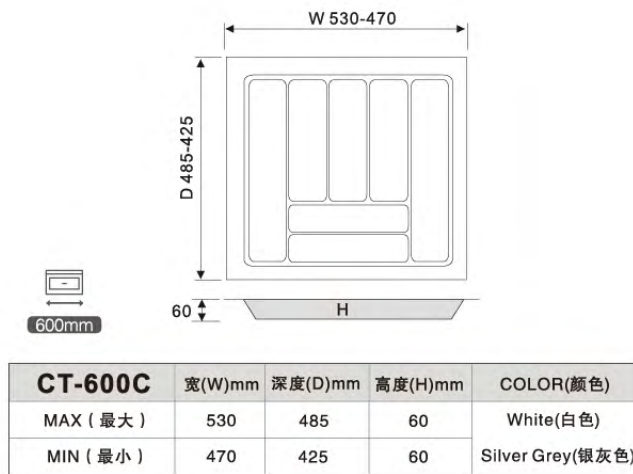
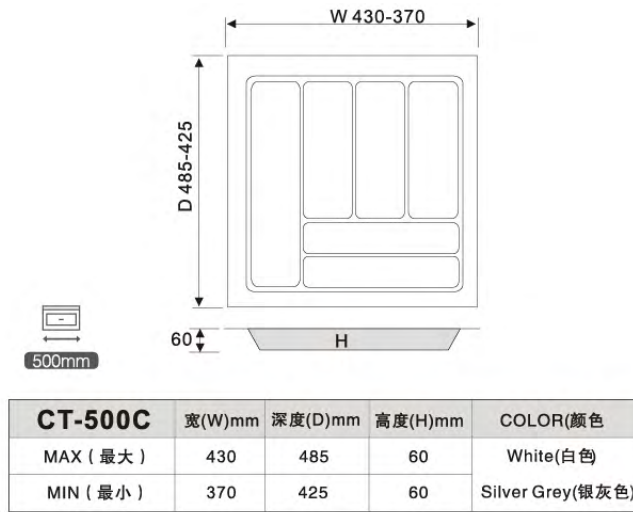
Wonderful Kitchens



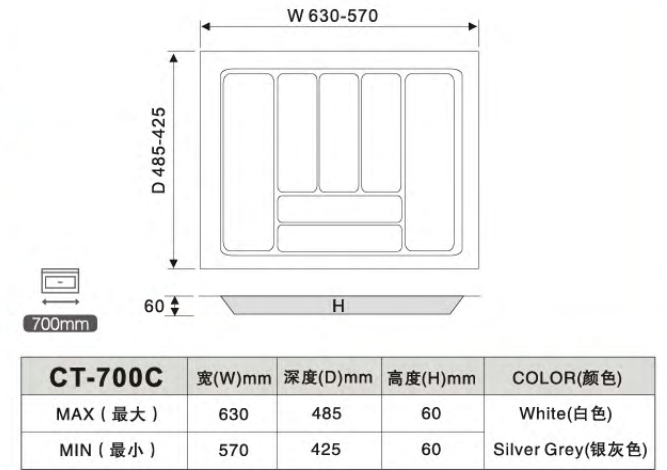
MODEL:CT-450C



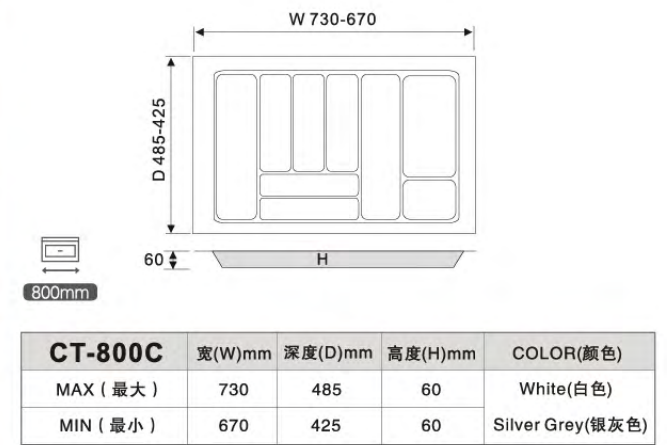
MODEL:CT-500C



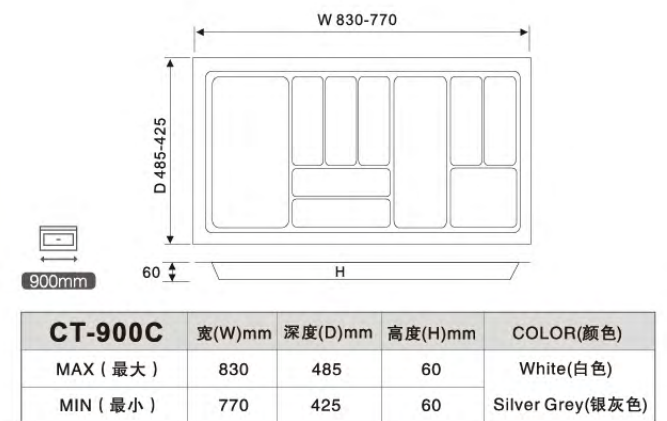
MODEL:CT-700C



MODEL:CT-800C



MODEL:CT-900C



RICE-BOX

Rice box thank is for the storage of rice. It is sealant and anti-wet. it will bring a new storage experience in the kitchen room



MODEL:RB-MT-30KG (without cover)



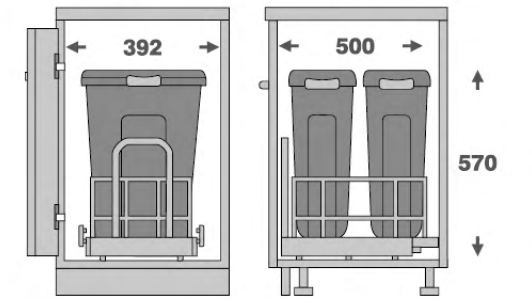
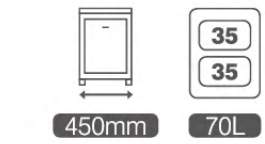
MODEL:RB-30KG (with cover)



MODEL:RB-M-25KG

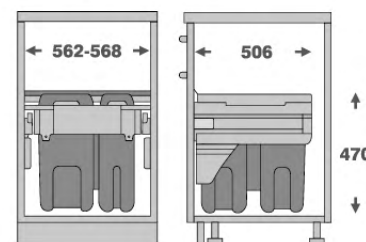
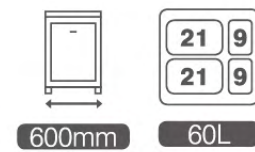
Item NO.	T=Cabinet	Width* Depth*Height	Description
RB-MT-30KG	300mm	300*450*650mm	without cover
RB-30KG	300mm	300*450*650mm	with cover

Item NO.	T=Cabinet	Width* Depth*Height
RB-M-25KG	300mm	300*450*650mm



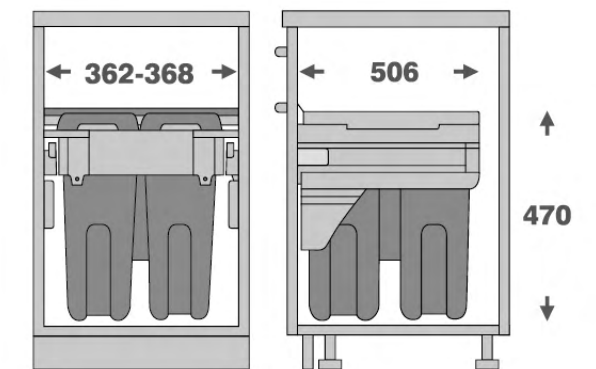
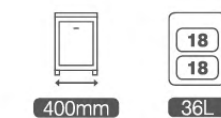
MODEL: WB-35D-450

Item NO.	T=Cabinet	Width* Depth*Height	Volume
WB-35D-450	450mm	392*500*570mm	70L



MODEL: WB-60S-600

Item NO.	T=Cabinet	Width* Depth*Height	Volume
WB-60S-600	600mm	(562/568)*513*563mm	60L(with cover)



MODEL:WB-18A

Item NO.	T=Cabinet	Width* Depth*Height	Volume
WB-18A	400mm	(362~368)*506*470mm	2*18L

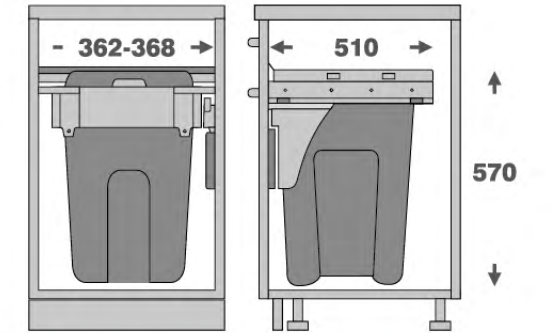


Item NO.	T=Cabinet	Width* Depth*Height	Volume	Description
WB-20A	400mm	340*490*430mm	40L(2*20L)	Soft Closing
WB-20B	400mm	340*490*430mm	40L(2*20L)	Normal
WB-20C	400mm	340*490*430mm	40L(20L+2*10L)	Normal

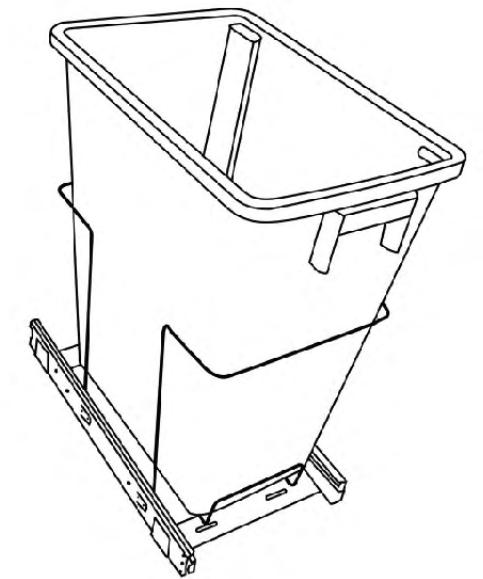
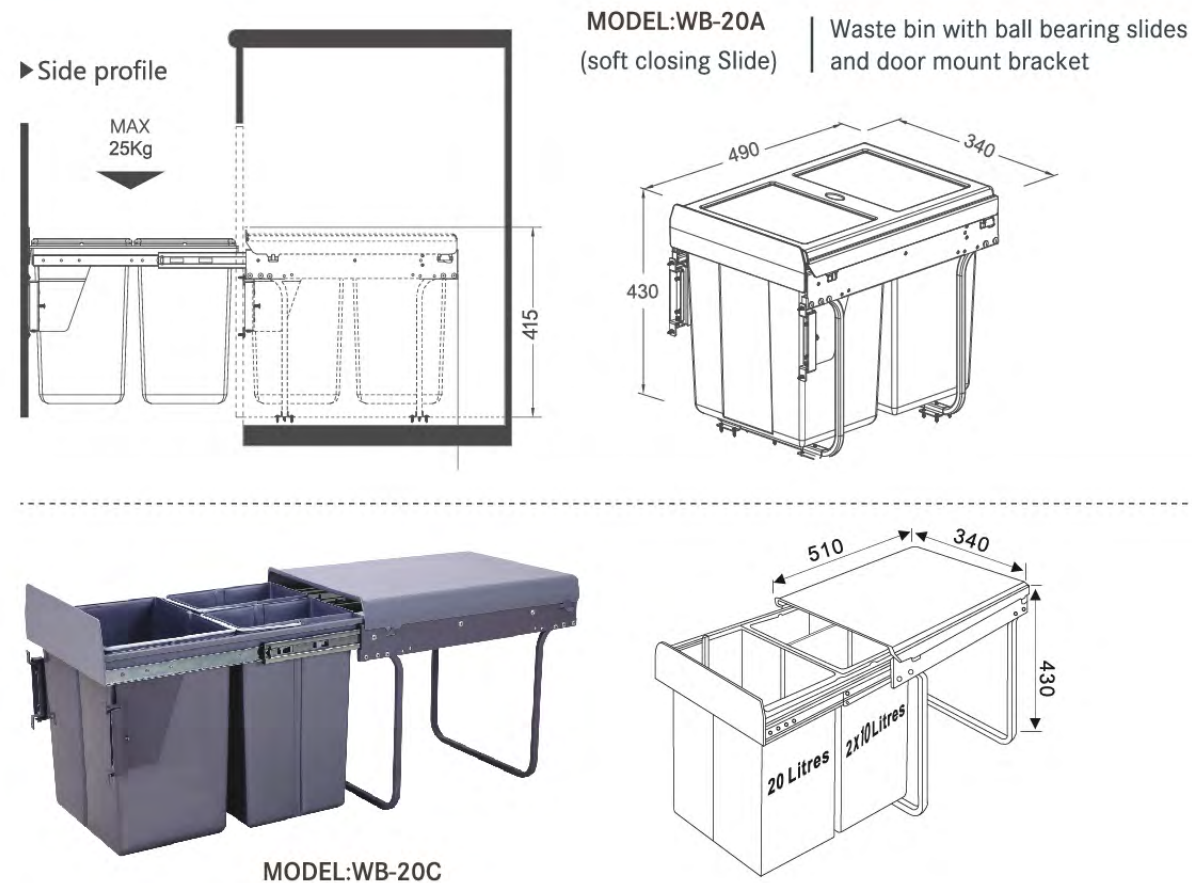


WASTE BIN

Soft closing Slide
Waste bin with ball bearing slides and door mount bracket



Item NO.	T=Cabinet	Width* Depth*Height	Volume
WB-35A	400mm	(362/368)*513*563mm	35L



Item NO.	T=Cabinet	Width* Depth*Height	Volume
WB-35B2	300mm	265*450*520mm	35L With Cover



SINK SERIES





Wonderful Kitchens

OVERALL TENSILE SERIES



SINK SERIES / 水槽系列



Item NO.	Size	Material
S-5540	550*400mm	SS304/SS201



Item NO.	Size	Material
S-4838	480*380mm	SS304/SS201



Item NO.	Size	Material
S-4141	Φ410 mm	SS304/SS201



Item NO.	Size	Material
S-4444	Φ440 mm	SS304/SS201



Item NO.	Size	Material
S-4237	420*370mm	SS304/SS201



Item NO.	Size	Material
S-5045	500*450mm	SS304/SS201



Item NO.	Size	Material
S-6045A	600*450mm	SS304/SS201



Item NO.	Size	Material
S-6045B	600*450mm	SS304/SS201



Item NO.	Size	Material
S-6245A	620*450mm	SS304/SS201



Item NO.	Size	Material
S-6245B	620*450mm	SS304/SS201



Item NO.	Size	Material
S-7545	750*450mm	SS304/SS201

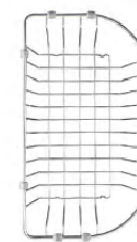


Item NO.	Size	Material
S-4236	420*360mm	SS304

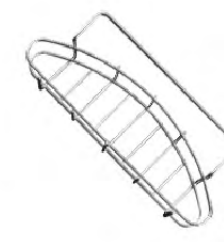


▶ Model:WK-850

Item NO.	Size	Material
WK-850	850*515mm	SS304



Model:C5



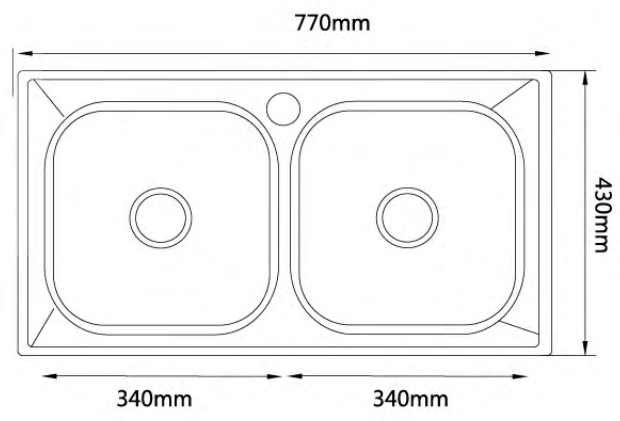
Model:C6



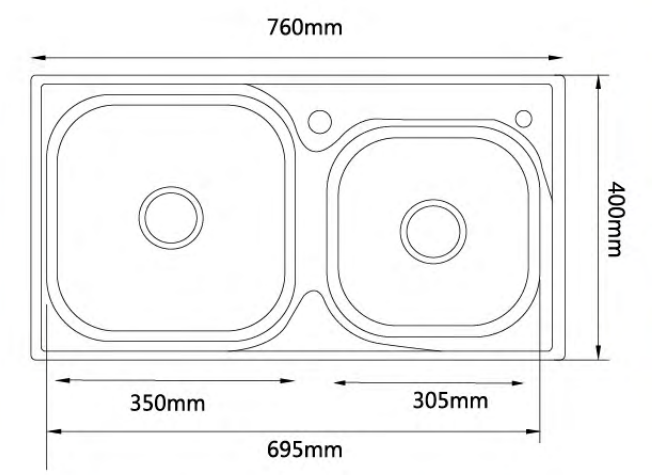


► Model:S-7743

Item NO.	Size	Material
S-7743	770*430mm	SS340 or SS201



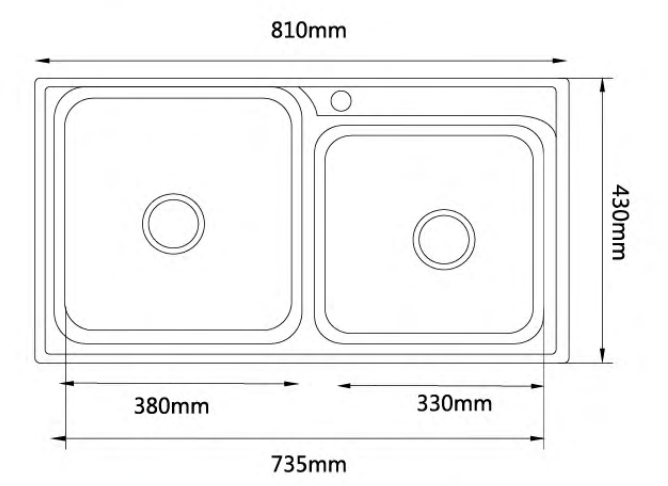
► Model:S-7640



Item NO.	Size	Material
S-7640	760*400mm	SS304/SS201



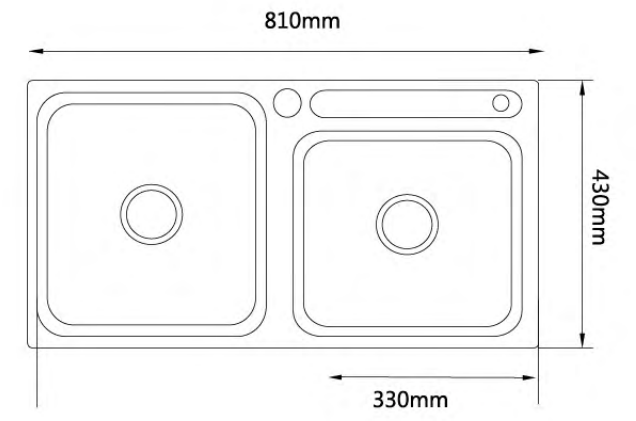
► Model:S-8143A



Item NO.	Size	Material
S-8143A	810*430mm	SS304/SS201



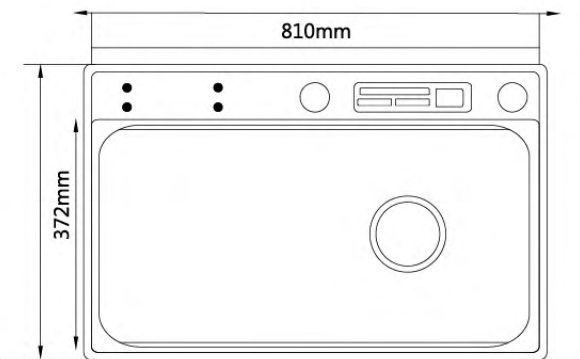
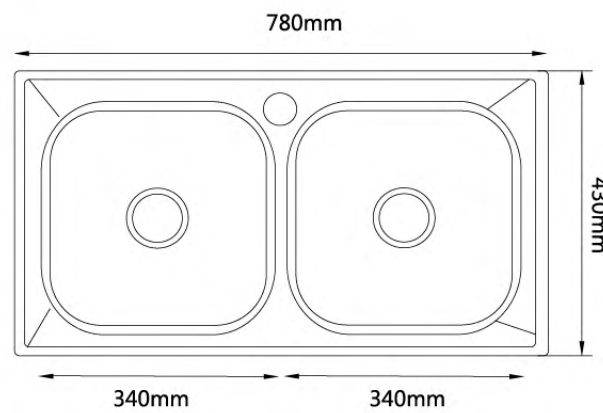
► Model:S-8143B



Item NO.	Size	Material
S-8143B	810*430mm	SS304/SS201



► Model: S-7843



► Model: S-8149

Item NO.	Size	Material
S-8149	810*490mm	SS304



C7



C8



R02



K01



HANDMADE SERIES



NANO SINK

Nanocrystalline Layer

- Hand Made Sink
- Antibacterial
- Non Stick Oil
- Wearproof
- Healthy Materials
- Thickened
- VF
- Odor-proof drainage system
- Safe overflow holes
- Easy-to-clean



NANO SINK



► Model:7545A-HM

Item NO.	Size	Material	Color
3834A-HM	380*340mm	SS201/SS304	Nano BK GD
4444A-HM	440*440mm	SS201/SS304	
5045A-HM	500*450mm	SS201/SS304	
6045A-HM	600*450mm	SS201/SS304	
6545A-HM	650*450mm	SS201/SS304	
6845A-HM	680*450mm	SS201/SS304	
7545A-HM	750*450mm	SS201/SS304	
8545A-HM	850*450mm	SS201/SS304	
9045A-HM	380*340mm	SS201/SS304	



► Model:6845B-HM

Item NO.	Size	Material	Color
4444B-HM	440*440mm	SS201/SS304	Nano BK GD
5045B-HM	500*450mm	SS201/SS304	
5545B-HM	550*340mm	SS201/SS304	
6045B-HM	600*450mm	SS201/SS304	
6545B-HM	650*450mm	SS201/SS304	
6845B-HM	680*450mm	SS201/SS304	
6845B-HM	680*450mm	SS201/SS304	
7545B-HM	750*450mm	SS201/SS304	
8545B-HM	850*450mm	SS201/SS304	



► Model:8245A-HM

Item NO.	Size	Material	Color
8245A-HM	680*450mm	SS201/SS304	Nano
8845A-HM	880*450mm	SS201/SS304	BK GD
9148A-HM	910*480mm	SS201/SS304	BK GD



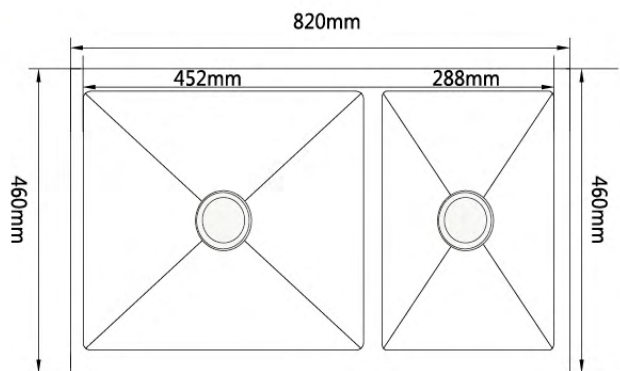
► Model:8845B-HM

Item NO.	Size	Material	Color
8245B-HM	680*450mm	SS201/SS304	Nano
8845B-HM	880*450mm	SS201/SS304	BK GD
9148B-HM	850*450mm	SS201/SS304	BK GD



► Model:8246B-HM

Item NO.	Size	Material	Color
8246B-HM	820*460mm	SS201/304	BK



Equipped with invisible knife holder box



NANO SINK

QUALITY SINK

- Hand Made Sink
- Antibacterial
- Non Stick Oil
- Wearproof
- Healthy Materials
- Thickened
- VF Odor-proof drainage system
- Safe overflow holes
- Easy-to-clean



► Model: 5045A-NANO SLIVER

Item NO.	Size	Material	Color
4444A-HM	440*440mm	SS201/SS304	
5045A-HM	500*450mm	SS201/SS304	
6045A-HM	600*450mm	SS201/SS304	
6545A-HM	650*450mm	SS201/SS304	
6845A-HM	680*450mm	SS201/SS304	
7545A-HM	750*450mm	SS201/SS304	
8245A-HM	820*450mm	SS201/SS304	
8545A-HM	850*450mm	SS201/SS304	
8845A-HM	880*450mm	SS201/SS304	
9045A-HM	900*450mm	SS201/SS304	
9148A-HM	910*480mm	SS201/SS304	

Nano
SLIVER



- ✓ Food-grade material
- ✓ Safe for raw food
- ✓ Lead-free
- ✓ Rust-resistant
- ✓ Corrosion-resistant
- ✓ Easy to clean



HANDMADE SERIES

SINK SERIES / 水槽系列

It starts with good looks, it starts with quality



► Model: 6845B-NANO SLIVER

Item NO.	Size	Material	Color
4444B-HM	440*440mm	SS201/SS304	
5045B-HM	500*450mm	SS201/SS304	
6045B-HM	600*450mm	SS201/SS304	
6545B-HM	650*450mm	SS201/SS304	
6845B-HM	680*450mm	SS201/SS304	
7545B-HM	750*450mm	SS201/SS304	
8245B-HM	850*450mm	SS201/SS304	
8545B-HM	850*450mm	SS201/SS304	
8845B-HM	850*450mm	SS201/SS304	
9045B-HM	380*340mm	SS201/SS304	
9148B-HM	850*450mm	SS201/SS304	

Nano
SLIVER



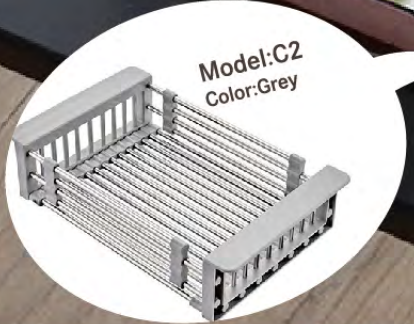
► Model: 8656-HM

Item NO.	Size	Material	Color
8656B-HM	860*560*220mm	SS304	SN



► Model: 11550-HM

Item NO.	Size	Material	Color
11550-HM	1100*500mm	SS304	SN



Model:C2
Color:Grey

Collocation Freely retractable drain basket



► Model:6545B-HM

Item NO.	Size	Material	Color
5545B-HM	550*450mm	SS304	
6545B-HM	650*450mm	SS304	SN
6845B-HM	680*450mm	SS304	



► Model:4444B-HM

Item NO.	Size	Material	Color
4444B-HM	440*440mm	SS304	SN



▲ Model:8050-HM



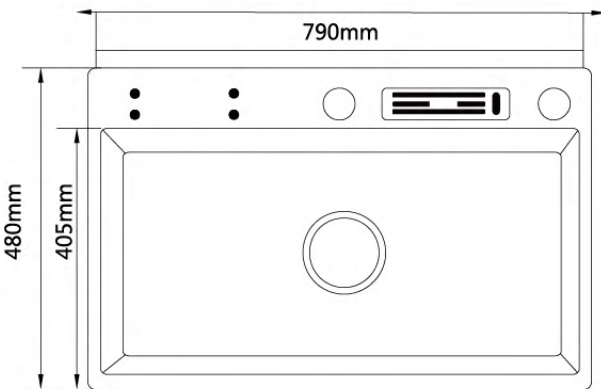
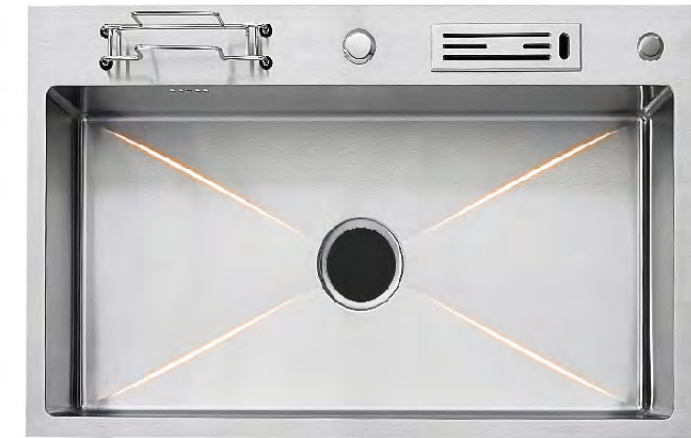
► Model:4444A-HM

Item NO.	Size	Material	Color
3438A-HM	340*380mm	SS304	
4444A-HM	440*440mm	SS304	SN



► Model:6845-HM Color: SN

Item NO.	Size	Material
5045A-HM	500*450mm	SS304
6045A-HM	500*450mm	SS304
7545A-HM	750*450mm	SS304
8545A-HM	850*450mm	SS304
9045A-HM	900*450mm	SS304



► Model:7948-HM

Item NO.	Size	Material	Color
7948-HM	790*480mm	SS304	SN

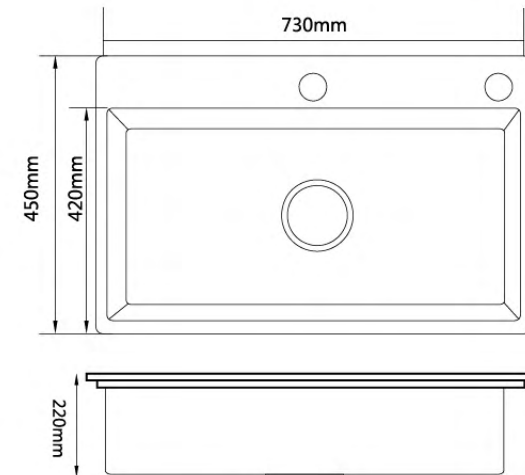


K01

S03

K02

C1



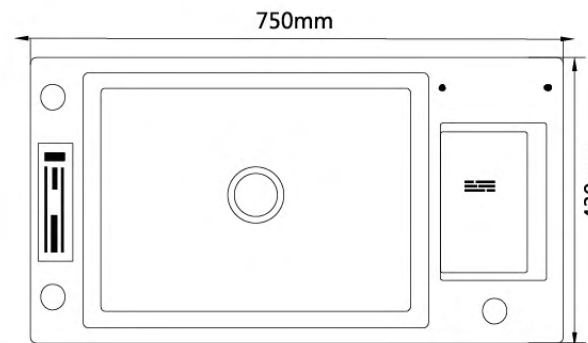
► Model:7350B-HM

Item NO.	Size	Material	Color
7345B-HM	730*450mm	SS304	SN



R02

C9



Item NO.	Size	Material	Color
7543-HM	750*430mm	SS304	SN



► Model:7543-HM

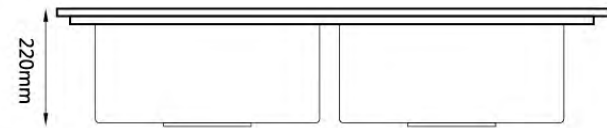
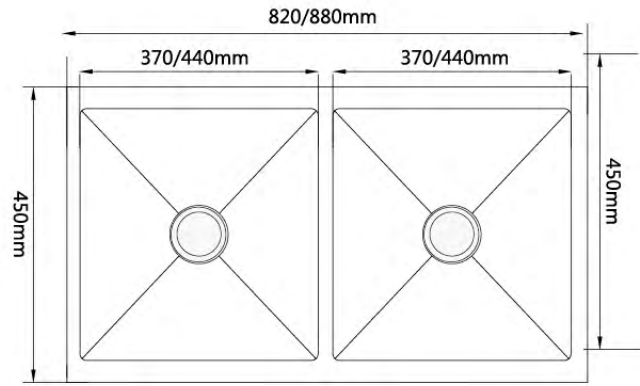


Wonderful Kitchens



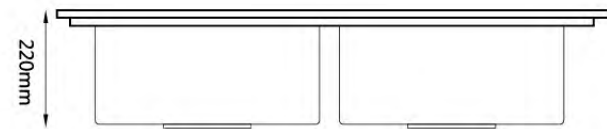
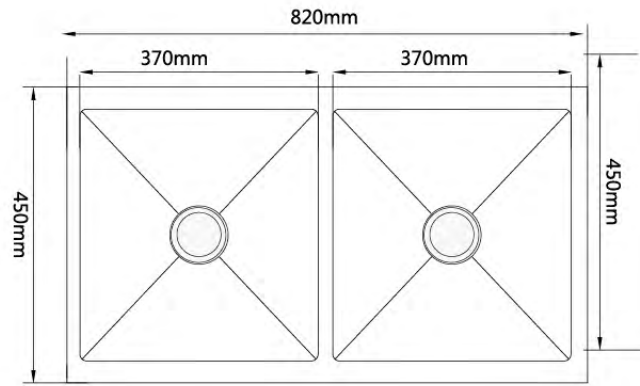
► Model:8245A-HM

Item NO.	Size	Material	Color
8245A-HM	820*450*220mm	SS304	SN
8845A-HM	880*450*220mm	SS304	



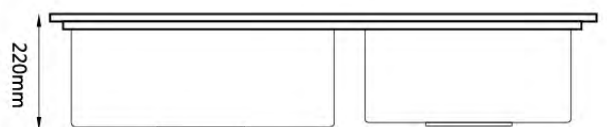
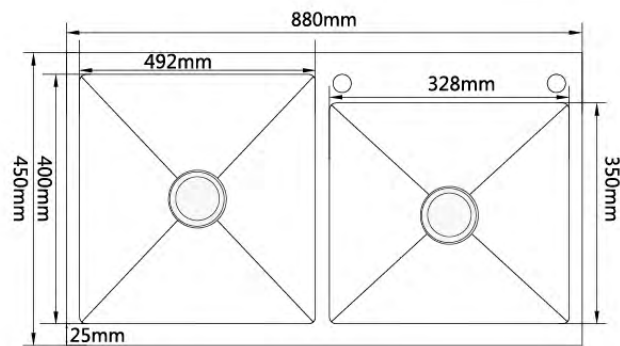
► Model:8245B-HM

Item NO.	Size	Material	Color
8245B-HM	820*450*220mm	SS304	SN

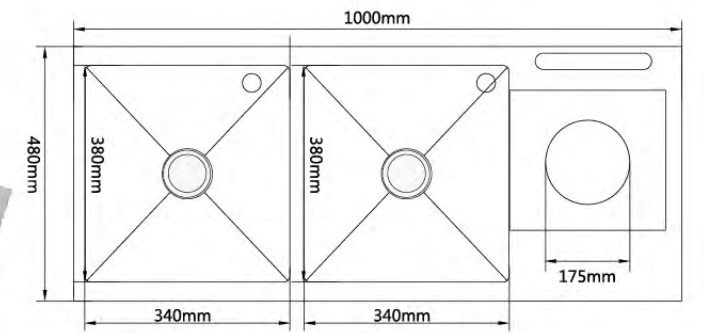


► Model:8845B-HM

Item NO.	Size	Material	Color
8845B-HM	880*450*220mm	SS304	SN
7843B-HM	780*430*220mm	SS304	
7541B-HM	750*410*220mm	SS304	



► Model:10048-HM

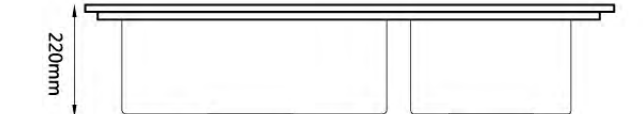
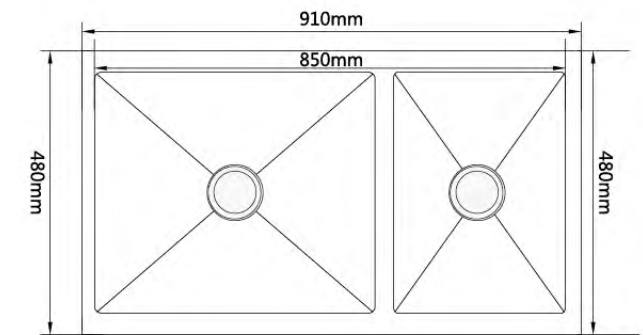


Item NO.	Size	Material	Color
10048-HM	1000*480mm	SS304	SN



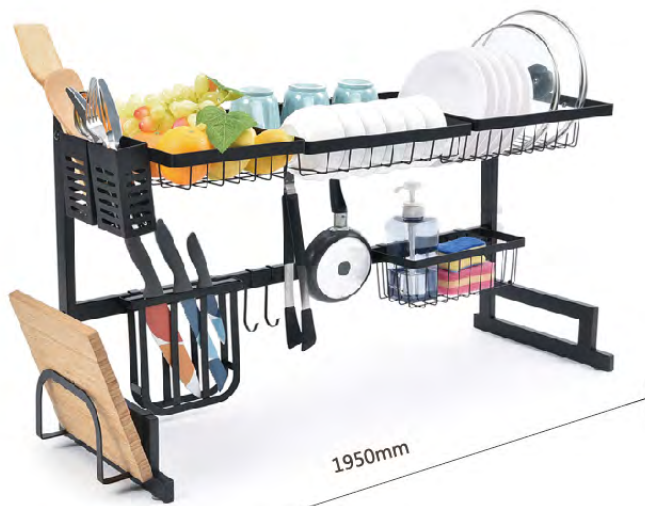
► Model:9148A-HM

Item NO.	Size	Material	Color
9148A-HM	910*480mm	SS304	SN





SINK DRAIN RACK



Model:SR-1-95



- Multi-function storage
- Easy to installation and disassembly
- The accessories can Free to moved

Water flows directly into the sink.
No Splash
No Mess!

CUP WASHER



Model: CW-01A



Model: CW-01B





TECHNO LOGICAL

功能技术

SINK SERIES / 水槽系列



Pearl Polished

Stain

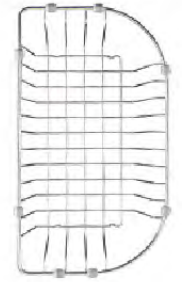
Polished



Delta



Item NO.	Material
B01	Stainless steel
B01B	Stainless steel



Item NO.	Material
B02	Semi-Steel
B02B	Semi-Steel



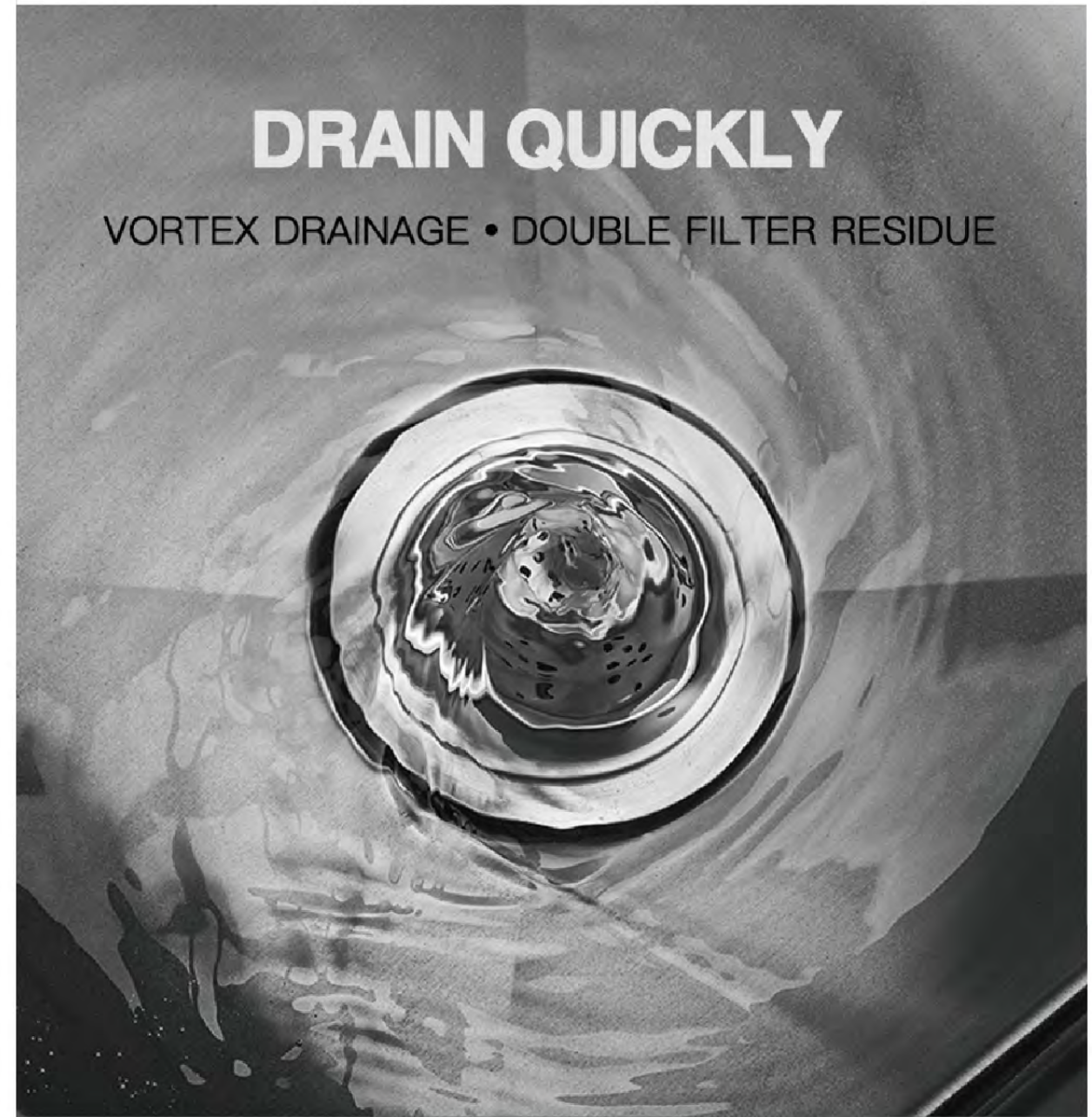
Item NO.	Material
B03	Semi-Steel



Color: GREY GD MBK



Color: SN GD MBK



DRAIN QUICKLY

VORTEX DRAINAGE • DOUBLE FILTER RESIDUE

DRAINER



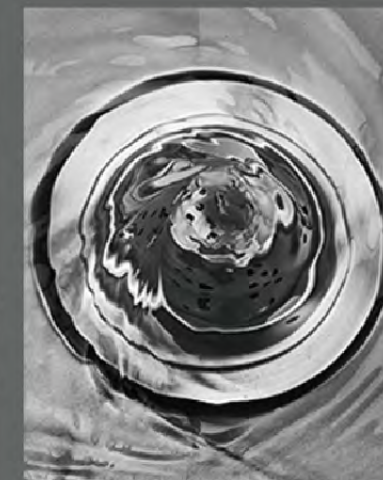
Model: Φ 110-S



Model: Φ 110-D



DOUBLE FILTER PROTECTION



RAPID DRAINAGE



ISOLATE THE RESIDUE



Hot Water
Cold Water

360°

360°



Model:F02
■ Universal Rotation water
■ 304 stainless steel
■ Cold and hot water



PULL-DOWN KITCHEN FAUCET



Model:F05
Color:
SN MBK GD

Model:F03
Color:
CP MBK



Model:F04
Color:
SN

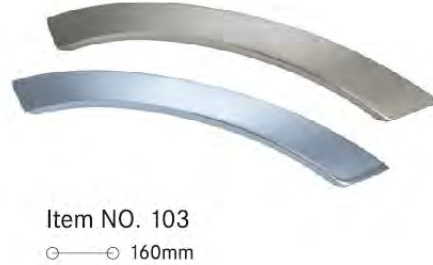


◀ Model:F11





Item NO. 101
○—○ 128mm 160mm



Item NO. 103
○—○ 160mm



Item NO. 105
○—○ 160mm



Item NO. 319
○—○ 160mm



Item NO. 320
○—○ 160mm 192mm



Item NO. 321
○—○ 160mm 192mm



Item NO. 106
○—○ 160mm



Item NO. 108
○—○ 160mm



Item NO. 111
○—○ 224mm



Item NO. 322/807
○—○ 160mm



Item NO. 324
○—○ 160mm



Item NO. 327
○—○ 192mm



Item NO. 112
○—○ 192mm



Item NO. 301
○—○ 160mm



Item NO. 310/801
○—○ 128mm



Item NO. 401
○—○ 192mm 224mm



Item NO. 410
○—○ 192mm



Item NO. 502
○—○ 128mm 160mm 192mm



Item NO. 312/804
○—○ 128mm



Item NO. 315/806
○—○ 128mm 160mm



Item NO. 317
○—○ 160mm



Item NO. 505
○—○ 160mm 192mm



Item NO. 507
○—○ 192mm



Item NO. 510
○—○ 224mm



Item NO. 511
 Ⓞ—Ⓞ 128mm 160mm

 KGD



Item NO. 511
 Ⓞ—Ⓞ 128mm 160mm



Item NO. 604
 Ⓞ—Ⓞ 192mm



Item NO. 611
 Ⓞ—Ⓞ 192mm



Item NO. 612
 Ⓞ—Ⓞ 192mm



Item NO. 613
 Ⓞ—Ⓞ 192mm



Item NO. 614
 Ⓞ—Ⓞ 224mm



Item NO. 616
 Ⓞ—Ⓞ 160mm 192mm



Item NO. 617
 Ⓞ—Ⓞ 224mm 256mm



Item NO. 618
 Ⓞ—Ⓞ 192mm
 MBK GD CP



Item NO. 624
 Ⓞ—Ⓞ 192mm



Item NO. 626
 Ⓞ—Ⓞ 192mm
 SN SS MBK



Item NO. 627
 Ⓞ—Ⓞ 192mm
 SS



Wonderful Kitchens



Item NO. 628
192mm
MBK GD KGD



Item NO. 629
160mm
CP GD MBK SN



Item NO. 701
192mm 224mm



Item NO. 902
128mm



Item NO. 903
128mm
CP GD MBK



Item NO. 904
128mm

HARDWARE UNITS / 五金系列



Item NO. 702
192mm



Item NO. 703
160mm 192mm
CP SN



Item NO. 704
192mm



Item NO. 905
128mm



Item NO. 905B
128mm



Item NO. 905C
128mm



Item NO. 705
192mm
CP SN



Item NO. 706
192mm
CP MBK



Item NO. 707
192mm



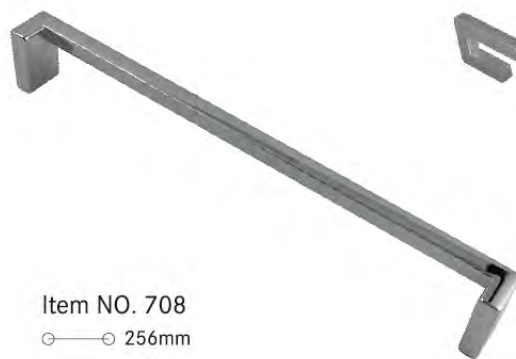
Item NO. 906/906B
128mm
CP GD MBK



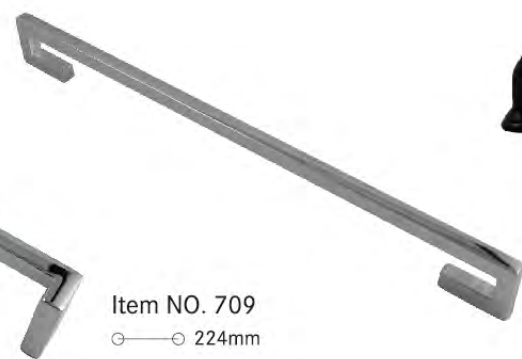
Item NO. 908
128mm 160mm
KGD MBK



Item NO. 909
128mm 160mm
SN CP SN GD



Item NO. 708
256mm



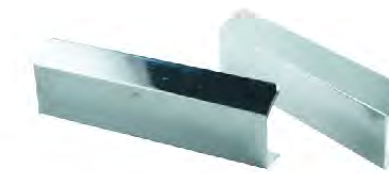
Item NO. 709
224mm



Item NO. 901
128mm



Item NO. 1101
250mm
MATT CP



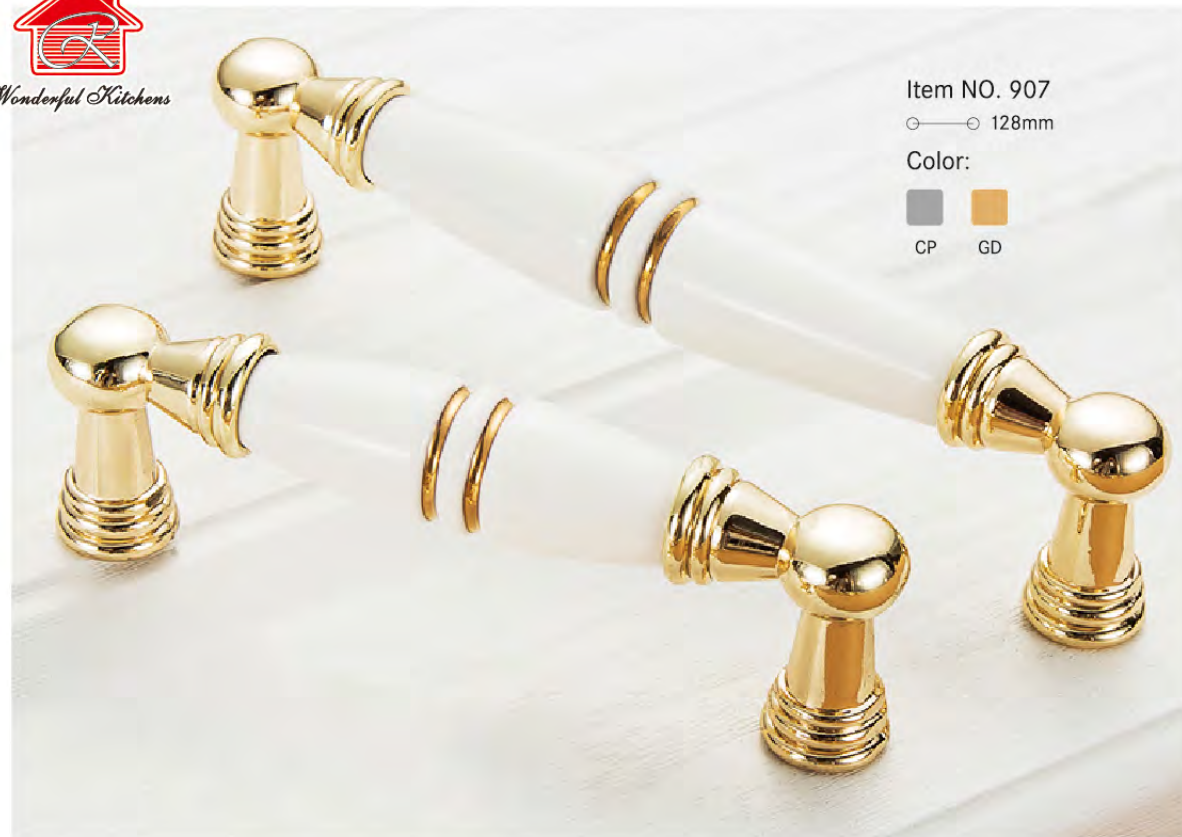
Item NO. 1102
140mm
CP KGD



Item NO. 1103
250mm
CP KGD MBK MATT



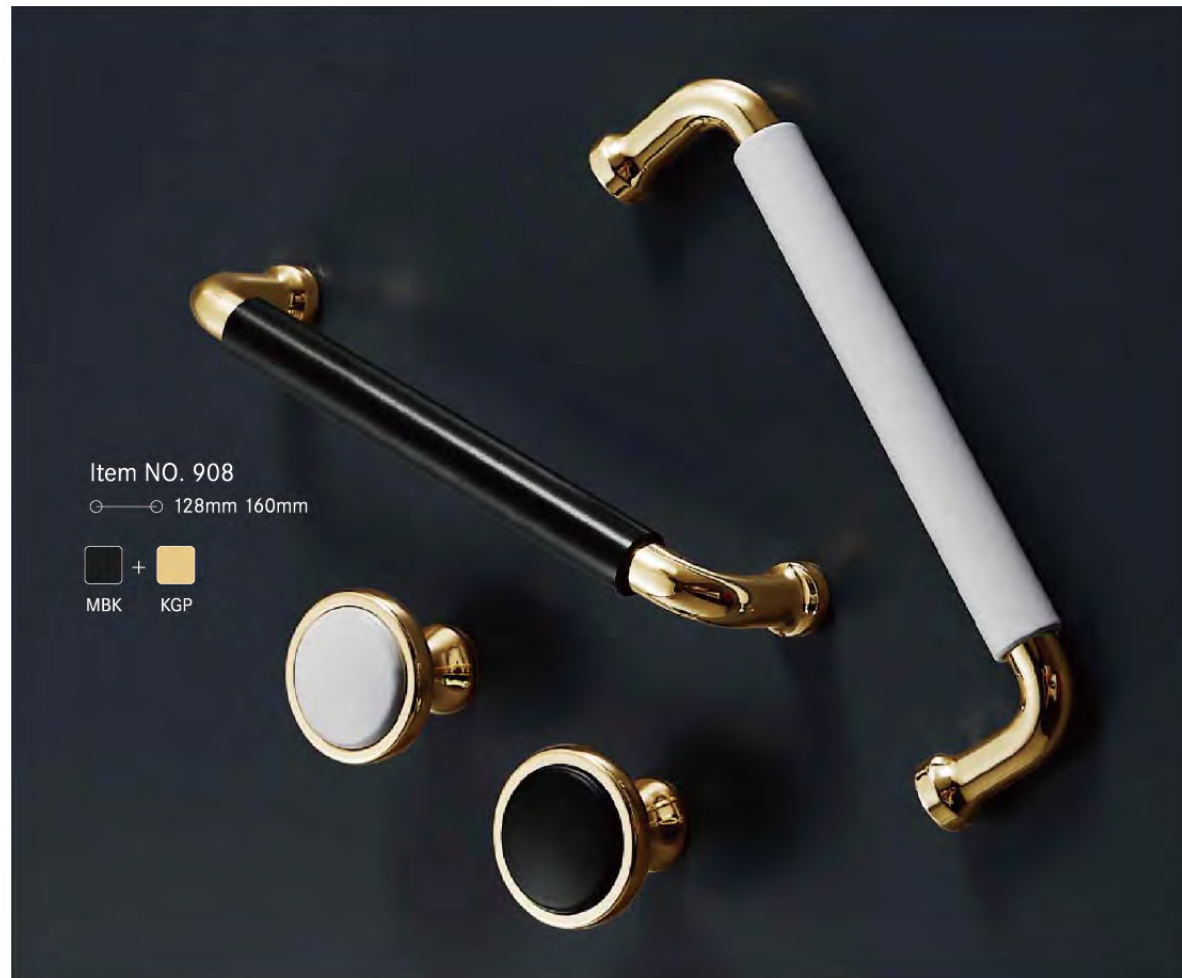
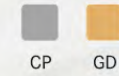
Wonderful Kitchens



Item NO. 907

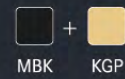
○—○ 128mm

Color:



Item NO. 908

○—○ 128mm 160mm



Item NO. 1104

○—○ 250mm



Item NO. 1105

○—○ 96mm



Item NO. 1106

○—○ 160mm



Item NO. 1107

○—○ 160mm



Item NO. 1201/1201S

○—○ 256mm/224mm



Item NO. 1202

○—○ 160mm 192mm



Item NO. 1203

○—○ 192mm



Item NO. 1204

○—○ 160mm 192mm



Item NO. 1205

○—○ 192mm



Item NO. 1206

○—○ 160mm



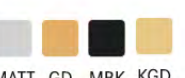
Item NO. 1207

○—○ 192mm



Item NO. 1207B

○—○ 160mm 192mm



HARDWARE UNITS / 五金系列



Item NO. 1208
 ○—○ 192mm
 MATT GD MBK

Item NO. 1209
 ○—○ 192mm
 MBK KGD

Item NO. 2101
 ○—○ 192mm



Item NO. 2102
 ○—○ 192mm

Item NO. 2103
 ○—○ 192mm

Item NO. 2104
 ○—○ 192mm 224mm



CP + MATT / CP + KGD / CP + WD

Item NO. 2105
 ○—○ 160mm 192mm
 CP MATT WD

Item NO. 2106
 ○—○ 160mm
 CP MATT WD

Item NO. 2107
 ○—○ 192/224mm

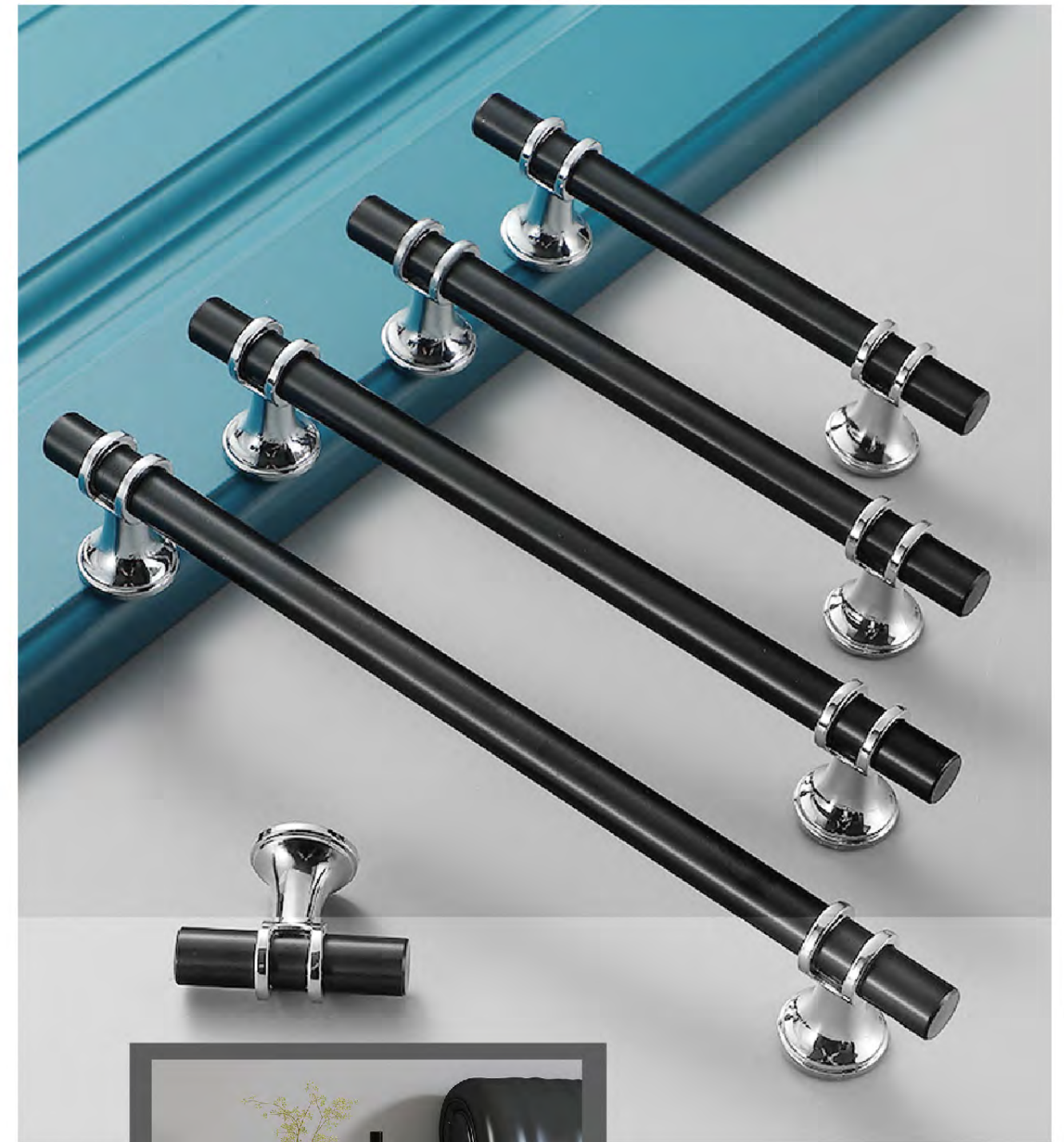


CP + MATT / CP + KGD / CP + WD

Item NO. 2108
 ○—○ 224mm
 CP MATT

Item NO. 2109
 ○—○ 160/192/224mm
 CP MATT

Item NO. 2110
 ○—○ 160/192mm





Wonderful Kitchens



Item NO. 2111
○—○ 192mm CP MATT



Item NO. 2112
○—○ 192mm CP WD



Item NO. 2113
○—○ 160mm CP MATT / CP WD



Item NO. 2114
○—○ 160mm



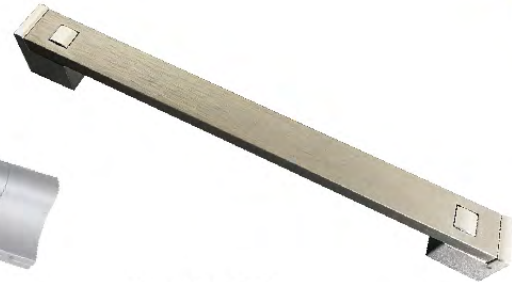
Item NO. 2115
○—○ 160mm 192mm 224mm



Item NO. 2116
○—○ 160mm 192mm MBK MATT



Item NO. 2117
○—○ 192mm



Item NO. 2118
○—○ 192mm



Item NO. 2119
○—○ 160mm

KGP MBK CP



Item NO. 3101
○—○ 128mm

CP WT / BK KGP / CP KGP



Item NO. 3102
○—○ 192mm

CP MATT / BK KGD / CP GR



Item NO. T2-200
○—○ 128mm 160mm 192mm

MBK GD / KGD / MBK KGD



Item NO. T-12-200/250
○—○ 128mm / 160mm SN GD MBK





Item NO. HS-1
 ○—○ 128mm 160mm 192mm



Item NO. HS-2
 ○—○ 128mm 160mm



Item NO. HS-3
 ○—○ 160mm 192mm



Item NO. T-150/200/250/300
 ○—○ 96mm 128mm 160mm 192mm



Item NO. TB-150/200/250/300
 ○—○ 96mm 128mm 160mm 192mm



Item NO. TC-250
 ○—○ 160mm



Item NO. TD-160/192
 ○—○ 160mm/192mm



Item NO. U-10-160
 ○—○ 160mm



Item NO. T2A-200
 ○—○ 128mm



Item NO. T2A
 CP BK BK KGP KGP



Item NO. T3A
 CP MATT BK KGD GD



Item NO. T3A-160
 ○—○ 160mm
 CP MATT BK KGD GD



Item NO. T3A-160
 ○—○ 160mm



Wonderful Kitchens



Item NO. 022



Item NO. 01



Item NO. 01A
CP GD MBK



Item NO.02



Item NO. 03



Item NO. 04



Item NO. 05



Item NO. 06
32mm



Item NO. 07



Item NO. 08
MBK GD CP



Item NO. 09



Item NO. 1205-CHP/1205-MBK/1205-GD



Item NO. 021



Item NO. 022
KGD MBK



Item NO. T2
MBK + KGD / KGD / KGD + MBK



HANDLE SERIES

Minimalist door handle zinc alloy
solid and durable

COLOR SAMPLES



CP SN MATT MBK GD CHP WD BPU KGD



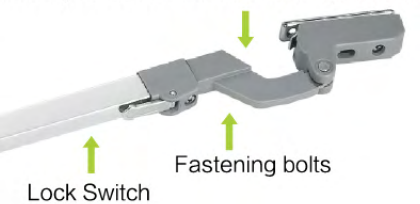
CABINET SUPPORT

Angle 90° -95° adjustable
Meet the needs of various angles of door opening



(Using with lift &right as completed set)

Telescopic rod can be extended up and down



►MODEL:CS-03

Strength adjustable function
When the strength is adjusted to balance, the cabinet door closes smoothly without rebounding.



Hover adjustable function
When the hovering force is adjusted to balance, the cabinet door can achieve any hovering function.

►MODEL:CS-02





CABINET SUPPORT

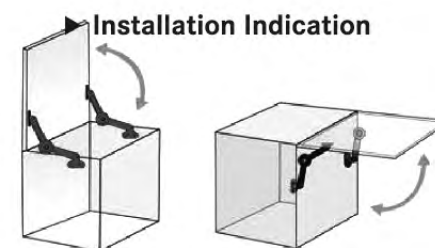
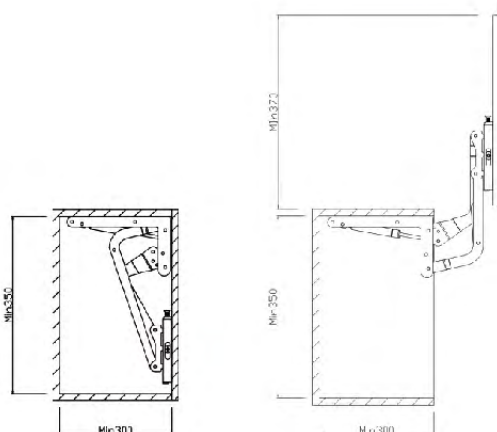


LID STAY SUPPORT

HARDWARE UNITS / 五金系列

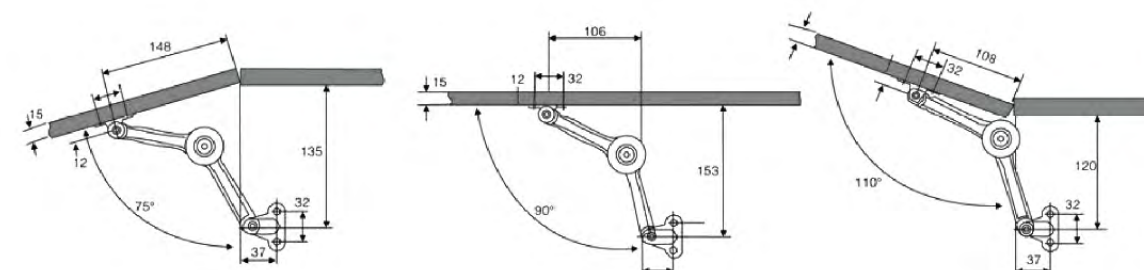


strongpoint
This product is made in accordance with European DIN industrial standards, Support uses Alloy material with nicked plating. Product core part uses roller and rolling bearing, to ensure consistent product quality, reduce wear and increase product durability. The service life of this product is 3.5-4 times that of common structures.



►MODEL:CS-01B

Item NO.	T=Cabinet	Width* Depth*Height	Description
CS-01A	600-800mm	(600-900) *220*320mm	Nomal
CS-01B	600-800mm	(600-900) *220*320mm	Soft closing



75° Inatallation sizes 90° Inatallation sizes 110° Inatallation sizes

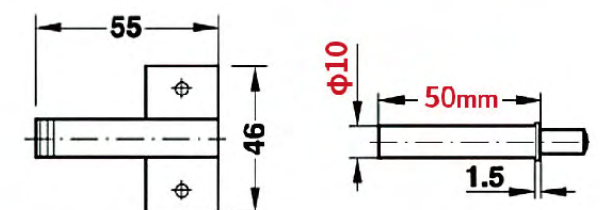


Model:SD-120-500
(GREY)

Item NO.	SIZE	Width*Height	Colour
SD-120-500	20"	20*100mm	GREY/WHITE
SD-170-500	20"	20*150mm	GREY/WHITE



Model:D-01A (GREY)





PUSH OPEN SLIDE



Color: SS MBK



SIZE: 30 35 40 45 50 55
12" 14" 16" 18" 20" 22"



Item NO.:4510/4210/4010

Proposed Use:Light bearer movable cabinet counter drawer,usually at home or in anycarrying 15 killo grams or less,it requires the use of three-quarters of the whole exhibition.
Product Features:With separable release latch. Manner side mounted 10±0.2mm.
Finish:blue zinc plated ,color zinc,black zinc.
Material:cold-rooled steel coil

SIZE: 30 35 40 45 50 55
12" 14" 16" 18" 20" 22"



Item NO.:4510 Soft Closing Slide

Proposed Use:Light bearer movable cabinet counter drawer,usually at home or in anycarrying 15 killo grams or less,it requires the use of three-quarters of the whole exhibition.
Product Features:With separable release latch. Manner side mounted 10±0.2mm.
Finish:blue zinc plated ,color zinc,black zinc.
Material:cold-rooled steel coil

SIZE: 30 35 40 45 50 55
12" 14" 16" 18" 20" 22"



安全·静音
给你家一个爱的呵护

Mute cushion hinge

Safe,quieter and give you a loving caress only for you!



Model:H-267

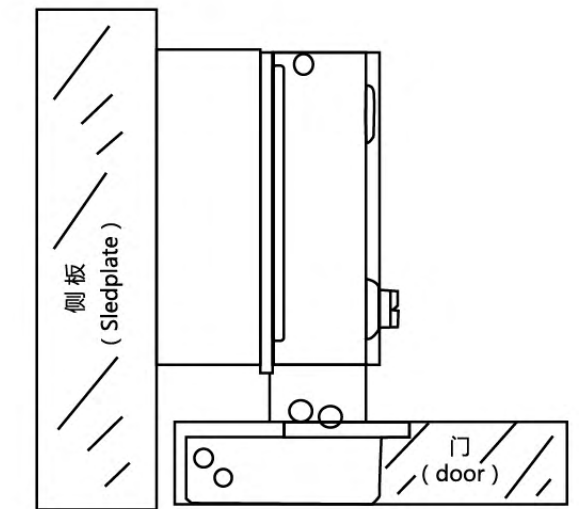


Model:H-367

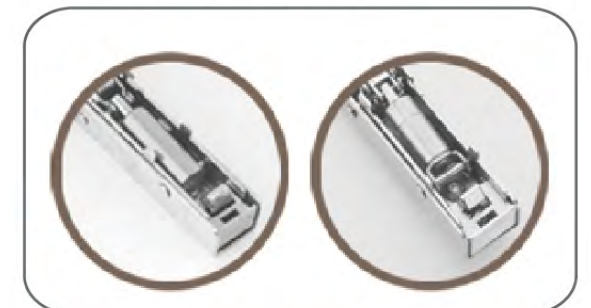


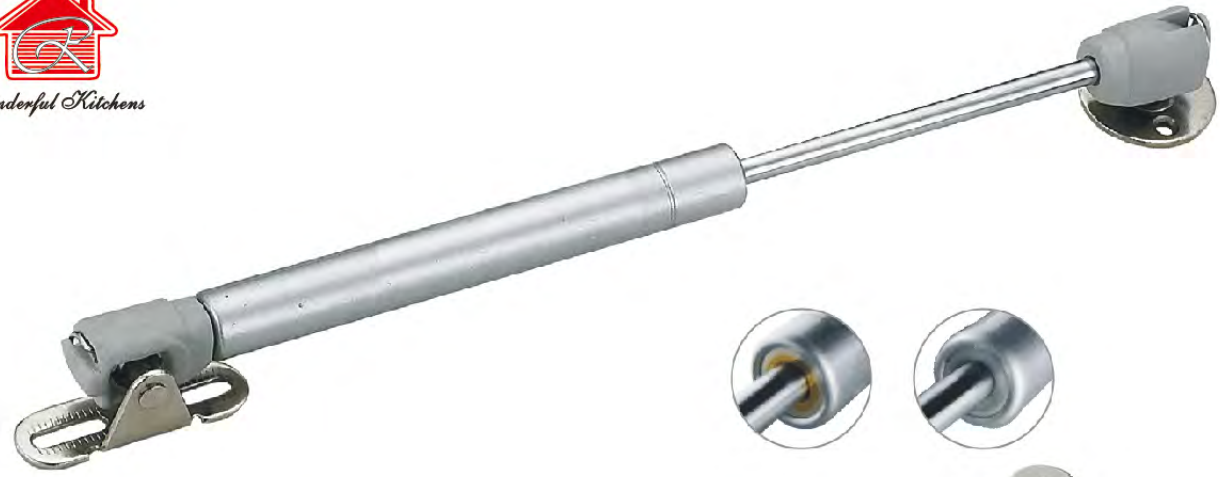
Kind of hinge cup

D	K	H				
		3	4	5	6	7
0		18	19	20	21	22
2		14	15	16	17	18
4		12	13	14	15	16



Material:Iron
Scope:All kinds of wooden doors
surface treatment:Nickel
Maximum door thickness:18mm
Full door (hinge cup curvature 0mm)





GAS SPRING



Stromgpoint

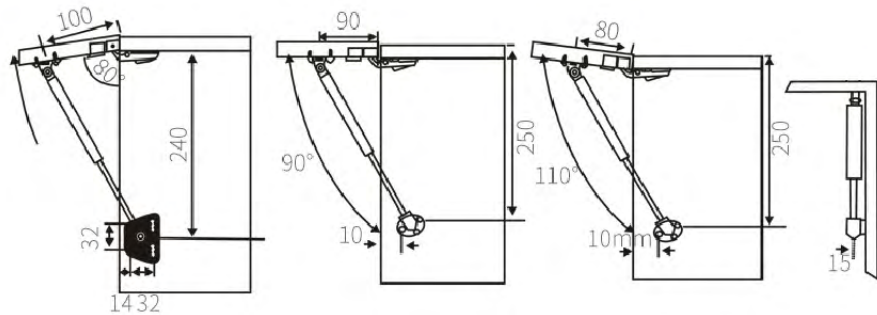
Up-turning wooden door and aluminum-frame door,
weight-lifting is 80N,100Nand120N,
Different specs are suitable for doors of different weights.



BLIND RIVETS



Item NO.	Colour
3.2*12.5mm	Silver or White
3.9*12.6mm	Silver or White



Material:steel	Finish:painting	Tube body :20#precision seamless steel tubes
Max weight:15kg	Center bar: 45#steel Hole	Distance:245mm Standard stroke 90mm
Conventional Pressure:30N~120N	Available:All kinds of cabinet doors	



screws

Item NO.	Material
M5*40/50/60	Steel



WEATHER STRIPPING

Item No.:6.8X5mm,3PB
Colour: Beige/white/Brown
Non-silicone
243m/roll,8rolls/carton

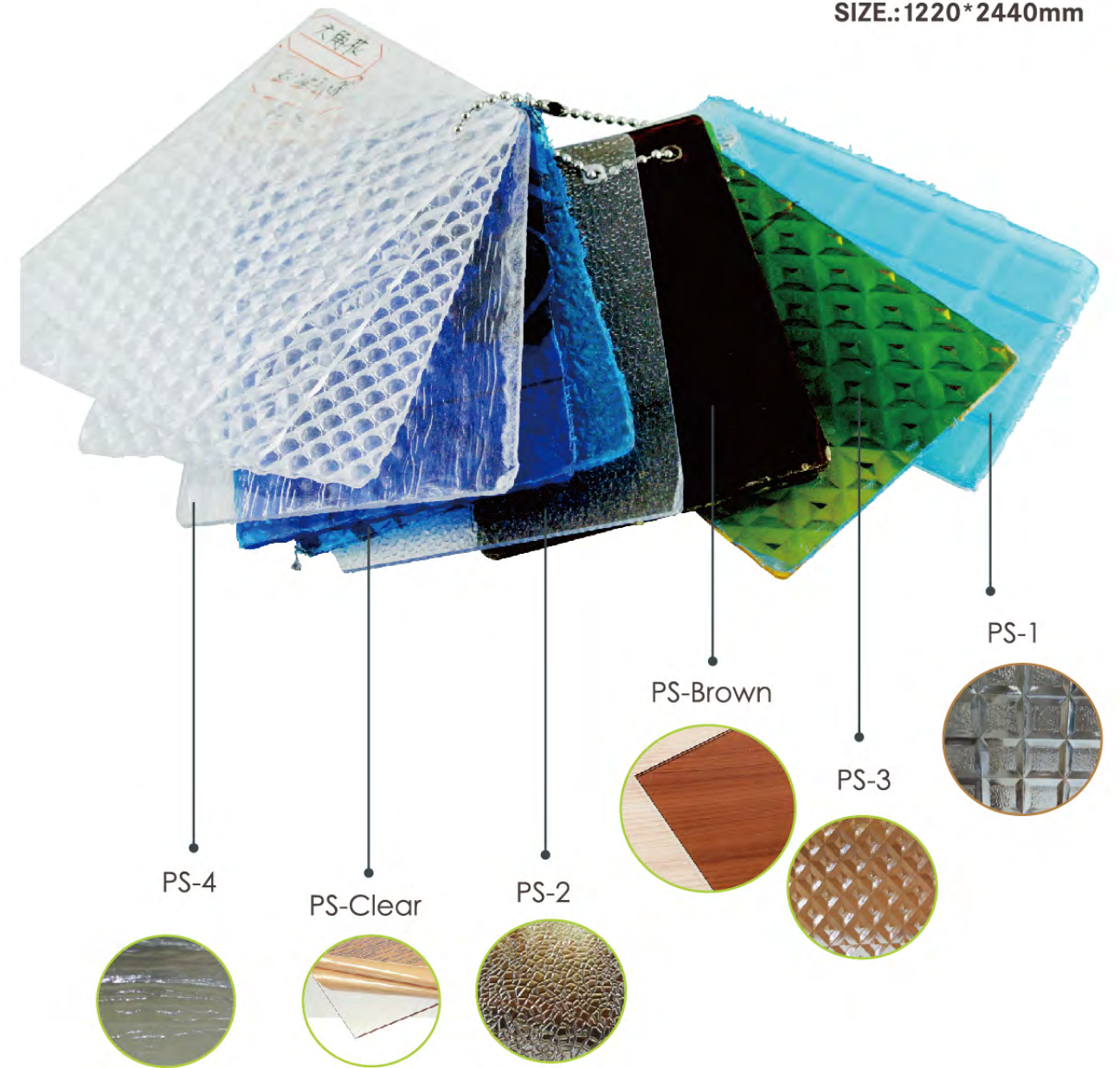


white gray brown



ACRYLIC SHEET

SIZE.:1220*2440mm



PS-4

PS-Clear

PS-2

PS-Brown

PS-3

PS-1



MEDIUM DENSITY FIBERBOARD (MDF)



The main pupose

Meet the fashion crowd for environmental protection, health, innovative home furnishings needs



SIZE.:1300*2800mm

Titanium White

Milky White



HIGH PRESSURE LAMIBNATE (HPL)

SIZE.:1300*2800mm



Titanium White



Milky White



RANG HOOD

Item NO.	Width* Depth*Height
WK213-600A	900*500*480mm
WK-213-900A	900*500*480mm

DURABLE & RELIABLE WONDERDUL KITCHENS



► Model:WK211-900A

Item NO.	Width* Depth*Height
WK211-900A	900*500*480mm 1 fliter
	900*500*480mm 2 fliter



POLL OUT
POT HOOK

Model:▶
POP-1-7

